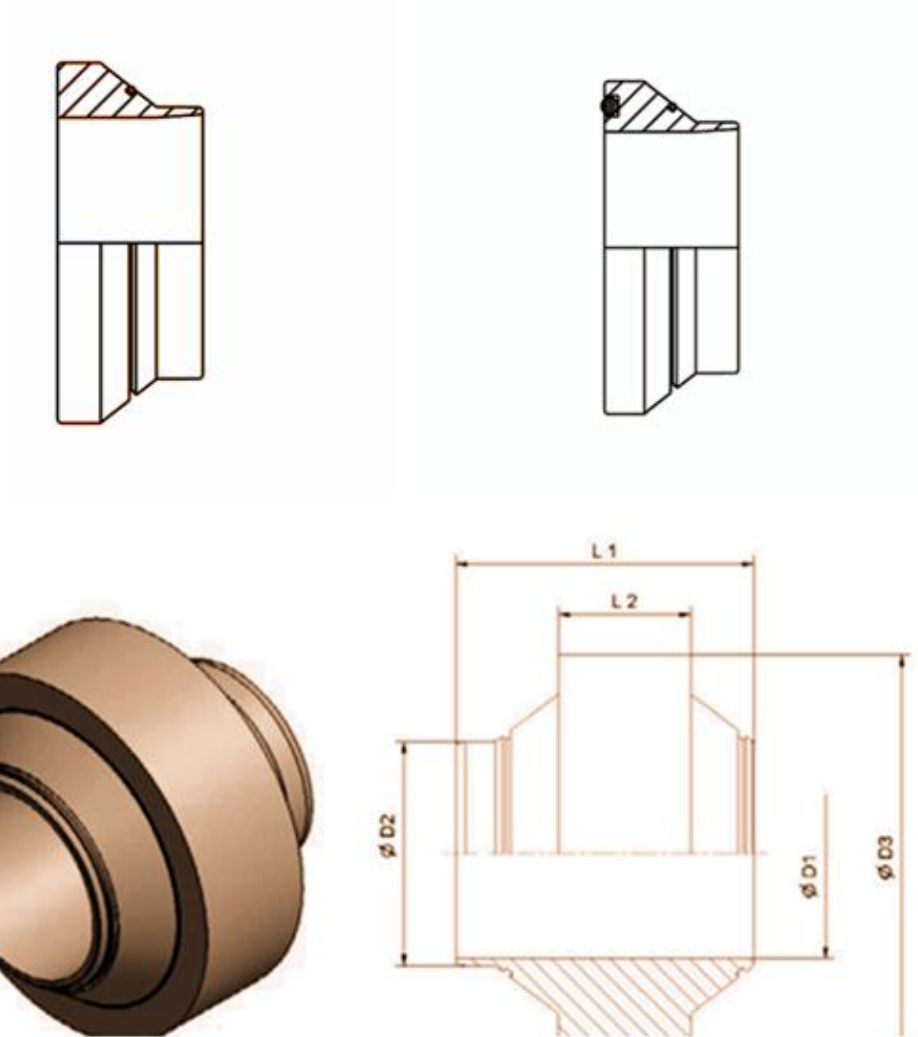


SAE Flare Flange Cone Insert



SAE Flare Flange Cone Insert system
SAE J518 code 61 and code 62 flange insert fittings

Flare flange insert cone fittings

Flare flange insert cone fittings is mating with flare flange clamps, there are many types of connections as follows:

Insert cone from tube to flange o-ring groove connection

Insert cone from tube to tube connections

Insert cone flat from tube to flange without o-ring groove connection

Material of Flare flange couplings:

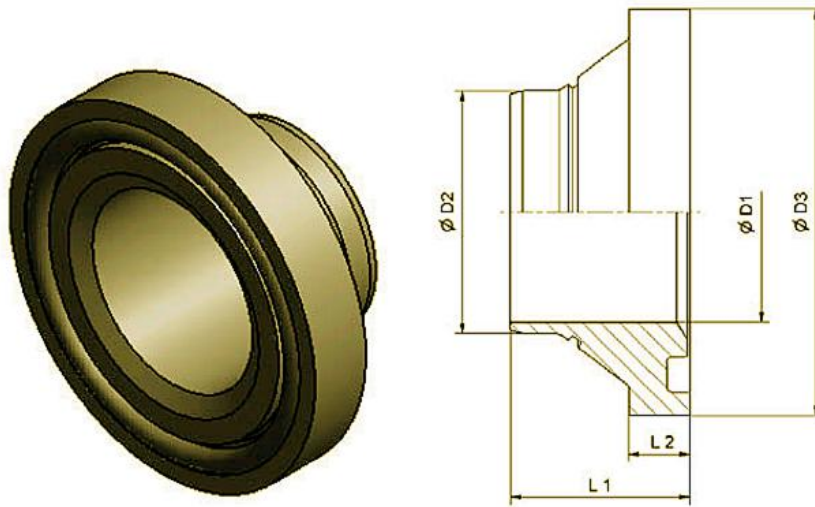
Carbon steel C45; Stainless steel 304, 316 or 316L.

All carbon steel flare flange connection system shall be plated or coated with a suitable material that passes a 72-h salt spray test in accordance with ASTM B117 (ISO 9227).

Flanged head is different from SAE J518 and ISO 6162 standards, it has 37 degree cone on flange head for flared 37 degree tubing, by flare flange calmping to tighten the blot for biting seamless tubes or pipes.

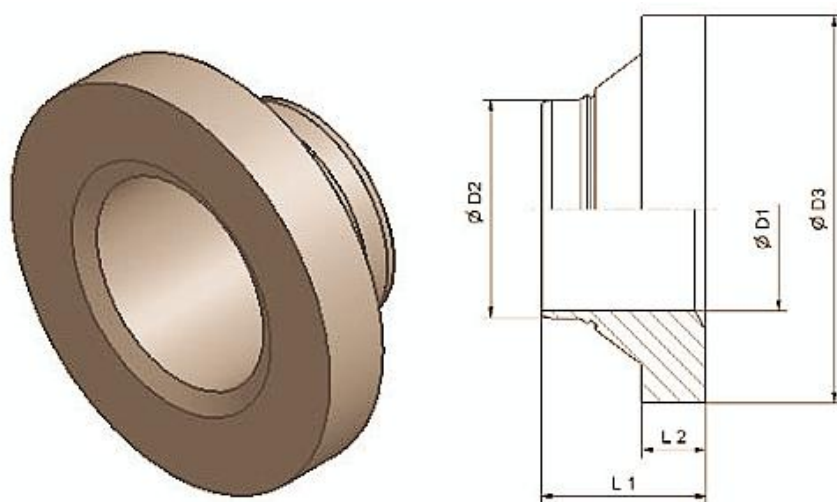


Flare Flange Cone Insert(from tube to flange connection)



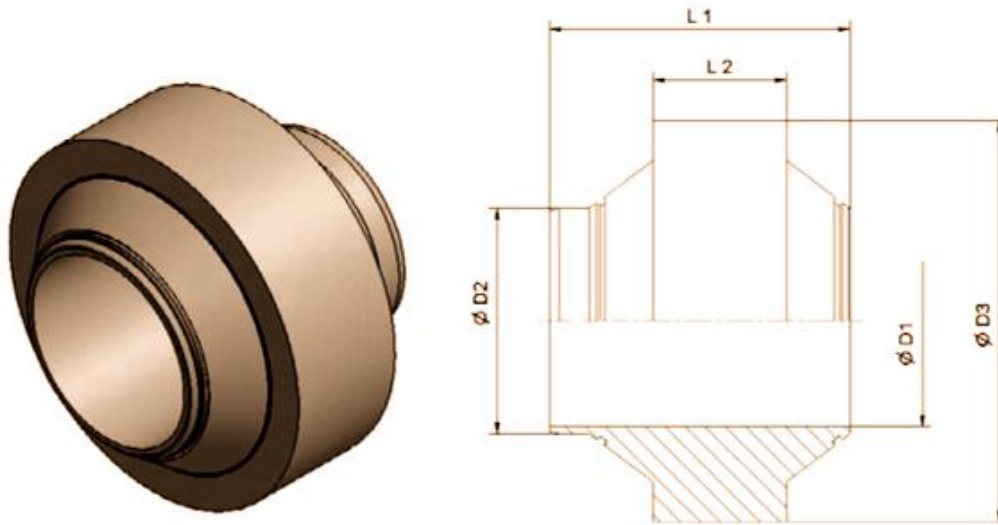
Part No.	Size		D1	D2	D3	L1	L2	Weight
	Inch	Tube						
FCIN-16-2	1	38X2.5	25	32.8	45	22	7	0.11
FCIN-16-3	1	38X3.0	25	31.8	45	22	7	0.1
FCIN-16-4	1	38X4.0	25	29.8	45	22	7	0,10
FCIN-16-5	1	38X5.0	25	27.8	45	21	7	0.09
FCIN-20-3	1 1/4	38X3.0	29.5	31.8	50	22	7.5	0.1
FCIN-20-4	1 1/4	38X4.0	27	29.8	50	22	7.5	0.11
FCIN-20-5	1 1/4	38X5.0	25.5	27.8	50	21	7	0.1
FCIN-24-3	1 1/2	42X3.0	33.5	35.8	60	25.5	10.0.	0.19
FCIN-24-4	1 1/2	42X4.0	31.5	33.8	60	25.5	10	0.19
FCIN-32-3	2	50X3.0	41.5	43.8	70	24	10	0.22
FCIN-32-5	2	50X5.0	37.5	39.8.	70	26.5	10	0.24
FCIN-40-3	2 1/2	60X3.0	50	53.8	84	27	10.5	3.50.
FCIN-40-5	2 1/2	60X5.0	46	49.8.	84	27	10.5	0.36
FCIN-40-6	2 1/2	60X6.0	45.5	47.8	84	27	10.5	0.34

Flare Flange Cone Flat Insert



Part No.	Size		D1	D2	D3	L1	L2	Weight
	Inch	Tube						
FCINC-16-2	1	38X2.5	25	32.8	45	22	7	0.11
FCINC-16-3	1	38X3.0	25	31.8	45	22	7	0.1
FCINC-16-4	1	38X4.0	25	29.8	45	22	7	0,10
FCINC-16-5	1	38X5.0	25	27.8	45	21	7	0.09
FCINC-20-3	1 1/4	38X3.0	29.5	31.8	50	22	7.5	0.1
FCINC--20-4	1 1/4	38X4.0	27	29.8	50	22	7.5	0.11
FCINC--20-5	1 1/4	38X5.0	25.5	27.8	50	21	7	0.1
FCINC-24-3	1 1/2	42X3.0	33.5	35.8	60	25.5	10.0.	0.19
FCINC-24-4	1 1/2	42X4.0	31.5	33.8	60	25.5	10	0.19
FCINC-32-3	2	50X3.0	41.5	43.8	70	24	10	0.22
FCINC-32-5	2	50X5.0	37.5	39.8.	70	26.5	10	0.24
FCINC-40-3	2 1/2	60X3.0	50	53.8	84	27	10.5	3.50.
FCINC-40-5	2 1/2	60X5.0	46	49.8.	84	27	10.5	0.36
FCINC-40-6	2 1/2	60X6.0	45.5	47.8	84	27	10.5	0.34

SAE Flare Flange Cone tube to tube connection



Part No	Inch Size	Tube	D1	D2	D3	L1	L2	Weight kg/1pcs
FCINO-16-2	1	38X2.5	25.0	32.8	45.0	38	14.5	0.24
FCINO-16-3	1	38X3.0	25.0	31.8	45.0	38	14.5	0.22
FCINO-16-4	1	38X4.0	25.0	29.8	45.0	38	14.0	0.20
FCINO-16-5	1	38X5.0	25.0	27.8	45.0	36	14.0	0.18
FCINO-20-3	1 1/4	38X3.0	29.5	31.8	50.0	38	15.0	0.22
FCINO-20-4	1 1/4	38X4.0	27.0	29.8	50.0	38	15.0	0.23
FCINO-20-5	1 1/4	38X5.0	25.5	27.8	50.0	36	14.0	0.21
FCINO-24-3	1 1/2	42X3.0	33.5	35.8	60.0	38	15.0	0.30
FCINO-24-4	1 1/2	42X4.0	31.5	35.8	60.0	45	20.0	0.40
FCINO-32-3	2	50X3.0	41.5	43.8	70.0	42	20.0	0.47
FCINO-32-5	2	50X5.0	37.5	39.8	70.0	46	20.0	0.53
FCINO-32-6	2	50X6.0	35.0	37.8	70.0	48	20.0	0.58,
FCINO-40-3	2 1/2	60X3.0	50.0	53.8	84.0	47	21.0	0.75
FCINO-40-5	2 1/2	60X5.0	46.0	49.8	84.0	47	21.0	0.78
FCINO-40-6	2 1/2	60X6.0	45.5	47.8	84.0	47	21.0	0.76
FCINO-40-7	2 1/2	73X7.0	56.0	58.8	84.0	49	21.0	0.68