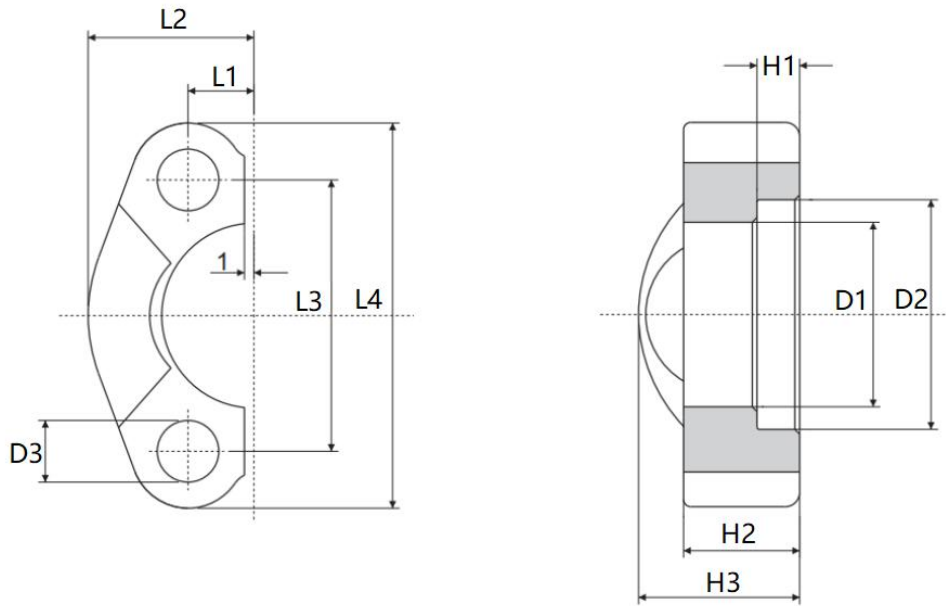


Contents

SAE Flanges (ISO 6162, ISO 6162)	Series	Page
Split Flange Halves	FH Series	1
Split Flange Halves-Flat Face	HF Series	2
Flange Clamp	VF Series	3
Flange Clamp-Flat Face	FP Series	4
Counter Flange Clamp	VFG Series	5
Socket Weld Flange	AFS Series	6
Socket Weld Counter Flange	GFS Series	7
90° Socket Weld Flange	AFW Series	8
Socket Weld Flange Coupling	DFS Series	9
BSPP Thread Flange	AFSG Series	10
BSPP Thread Counter Flange	GFSG Series	11
90° BSPP Thread Flange	AFWG Series	12
BSPP Thread Flange Coupling	DFSG Series	13
NPT Thread Flange	AFSN Series	14
NPT Thread CounterFlange	GFSN Series	15
90° NPT Thread Flange	AFWN Series	16
Butt Weld Flange	AFST Series	17
Butt Weld Counter Flange	GFST Series	18
90° Butt Weld Flange	AFWT Series	19
Butt Weld Flange Coupling	DFST Series	20
Flared Flange	JFS Series	21
Closed Flange	AFC Series	22
Closed Counter Flange	GFC Series	23
SAE Flange Weld Coupling	ASF/BSF Series	24
SAE 90° Flange Weld Coupling	AWF Series	25
SAE Flange Adaptor	GSF Series	27
SAE Flange with 24° Cone End	AFM Series	28
SAE 90° Flange with 24° Cone End	AFMW Series	29
SAE Tee Flange	SFV Series	30
Pump Flange Connectiong	GF Series	31
90° Pump Flange Connection	WF Series	32
Socket Weld Flange 500PSI	AFCS/GCFS Series	33

Split Flange Halves



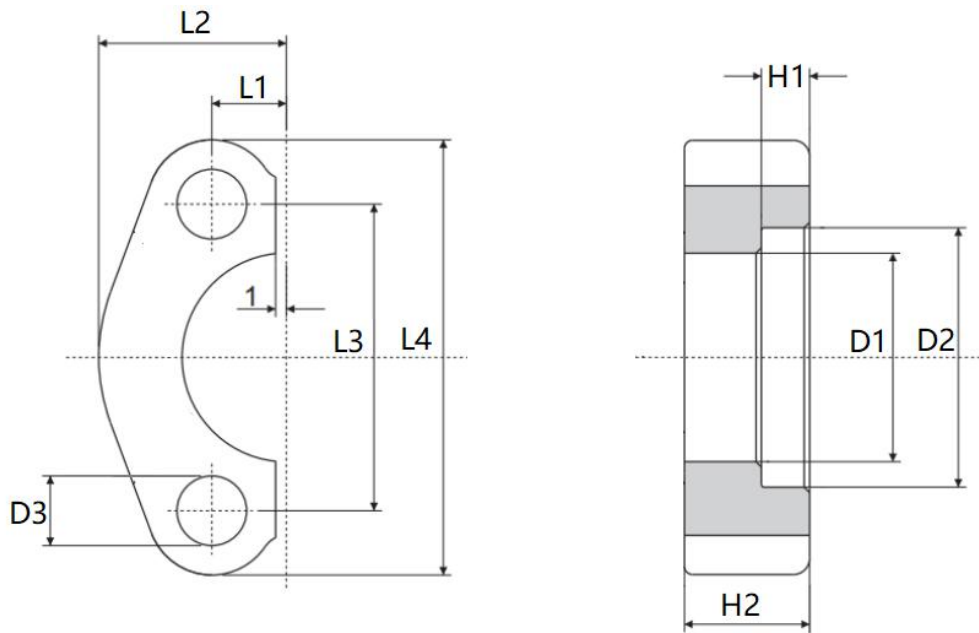
3000PSI

Type	Size Inch	Dimensions(mm)											Weight		Pressure Bar
		L1	L2	L3	L4	H1	H2	H3	D1	D2	D3	M	UNC	Kg	
FH301	1/2	8.75	23	38.1	54	6.2	13	19	31	24.5	8.5	M8	5/16	0.07	345
FH302	3/4	11.13	25.9	47.6	65	6.2	14.3	22	38.93	32.2	10.5	M10	3/8	0.1	345
FH303	1	13.08	29.2	52.4	70	7.5	16	24	45.25	38.8	10.5	M10	3/8	0.12	345
FH304	1 1/4	15.09	36.3	58.7	79	7.5	16	24	51.6	43.7	10.5	M10	—	0.18	276
FH304/U	1 1/4	15.09	36.3	58.7	79	7.5	16	24	51.6	43.7	11.8	—	7/16	0.18	276
FH304/12	1 1/4	15.09	36.3	58.7	79	7.5	16	24	51.6	43.7	12.5	M12	—	0.18	276
FH305	1 1/2	17.86	41	69.9	94	7.5	16	25	61.1	50.8	13.3	M12	1/2	0.23	207
FH306	2	21.44	48.2	77.8	102	9	16	26	72.25	62.8	13.3	M12	1/2	0.26	207
FH306/14	2	21.44	48.2	77.8	102	9	16	26	72.25	62.8	14.6	M14	—	0.26	207
FH307	2 1/2	25.4	54	88.9	114	9	19	38	84.95	74.95	13.3	M12	1/2	0.42	172
FH308	3	30.96	65.3	106	135	9	22	41	102.4	90.95	17	M16	5/8	0.68	138
FH309	3 1/2	34.92	69.5	121	152	10.7	22	28	115.1	102.4	17	M16	5/8	0.62	34
FH310	4	38.88	76	130	162	10.7	25	35	127.8	115.1	17	M16	5/8	0.85	34
FH311	5	46.04	90	152	184	10.7	28	41	153.2	140.5	17	M16	5/8	1.2	34

6000PSI

Type	Size Inch	Dimensions(mm)											Bolt		Weigh t Kg	Pressure Bar
		L1	L2	L3	L4	H1	H2	H3	D1	D2	D3	M	UNC			
FH601	1/2	9.12	23.6	40.5	56	7.2	16	22	32.55	24.65	8.5	M8	5/16	0.09	414	
FH602	3/4	11.91	30	50.8	71	8.25	19	28	42.1	32.5	10.5	M10	3/8	0.17	414	
FH603	1	13.89	34.8	57.2	81	9	24	33	48.4	38.9	12.6	M12	7/16	0.26	414	
FH604/12	1 1/4	15.88	38.6	66.7	95	9.8	27	38	54.8	44.5	13.3	M12	1/2	0.4	414	
FH604	1 1/4	15.88	38.6	66.7	95	9.8	27	38	54.8	44.5	14.6	M14	—	0.4	414	
FH605	1 1/2	18.26	47.5	79.4	113	12	30	43	64.3	51.6	17	M16	5/8	0.68	414	
FH606	2	22.23	56.9	96.8	133	12	37	52	80.2	67.6	21	M20	3/4	1.05	414	
FH607	2 1/2	29.4	75	124	180	20.5	45	45	108.9	90	25	M24	—	2.1	414	
FH608	3	35.8	99	152	215	25.5	55	55	132.5	115	31.5	M30	—	4.25	414	

Split Flange Halves-Flat Face



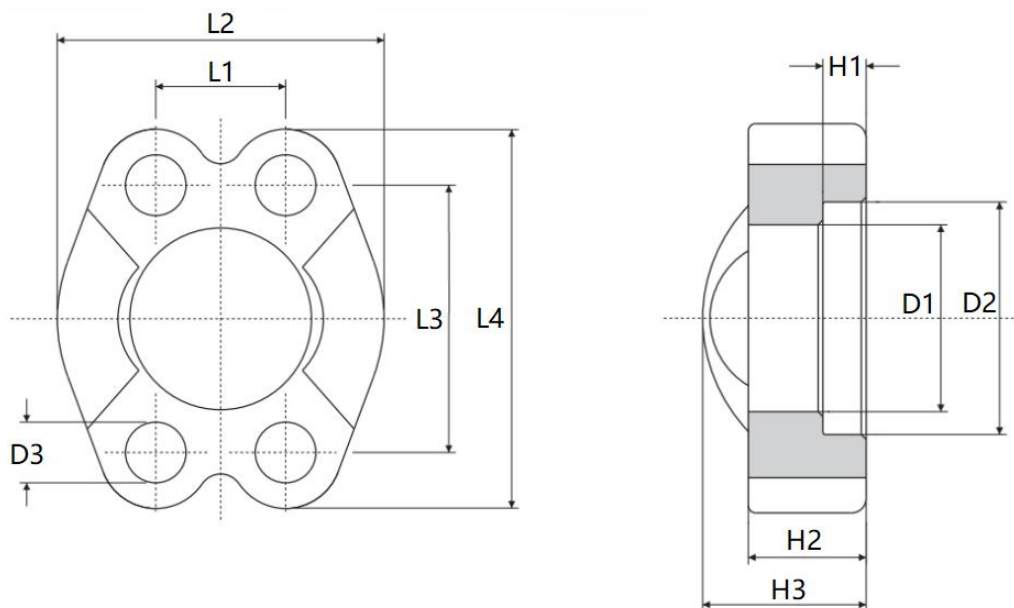
3000PSI

Type	Size	Dimensions(mm)									Bolt		Weight Kg	Pressure Bar
	Inch	L1	L2	L3	L4	H1	H2	D1	D2	D3	M	UNC		
HF301	1/2	8.75	23	38.1	54	6.2	13	31	24.5	8.5	M8	5/16	0.06	345
HF302	3/4	11.13	25.9	47.6	65	6.2	14	38.9	32.15	10.5	M10	3/8	0.09	345
HF303	1	13.08	29.2	52.4	70	7.5	16	45.25	38.8	10.5	M10	3/9	0.11	345
HF304	1 1/4	15.09	36.3	58.7	79	7.5	16	51.6	43.7	10.5	M10	—	0.16	276
HF305	1 1/2	17.86	41	69.9	94	7.5	16	61.1	50.8	13.3	M12	1/2	0.22	207
HF306	2 1/2	21.44	48.2	77.8	102	9	16	72.25	62.75	13.3	M12	1/2	0.25	207

6000PSI

Type	Size	Dimensions(mm)									Bolt		Weight Kg	Pressure Bar
	Inch	L1	L2	L3	L4	H1	H2	D1	D2	D3	M	UNC		
HF601	1/2	9.12	23.6	40.49	56	7.20	16	32.55	24.65	8.5	M8	5/16	0.08	414
HF602	3/4	11.91	30	50.80	71	8.25	19	42.1	32.50	10.5	M10	3/8	0.16	414
HF603	1	13.89	34.8	57.17	81	9	24	48.4	38.90	12.6	M12	7/16	0.25	414
HF604	1 1/4	15.88	38.6	66.68	95	9.80	27	54.8	44.5	14.6	M14	—	0.38	414
HF605	1 1/2	18.26	47.5	79.38	113	12	30	64.3	51.6	17	M16	5/8	0.65	414
HF606	2	22.23	56.9	96.82	133	12	37	80.2	67.6	21	M20	3/4	1	414

Flange Clamp



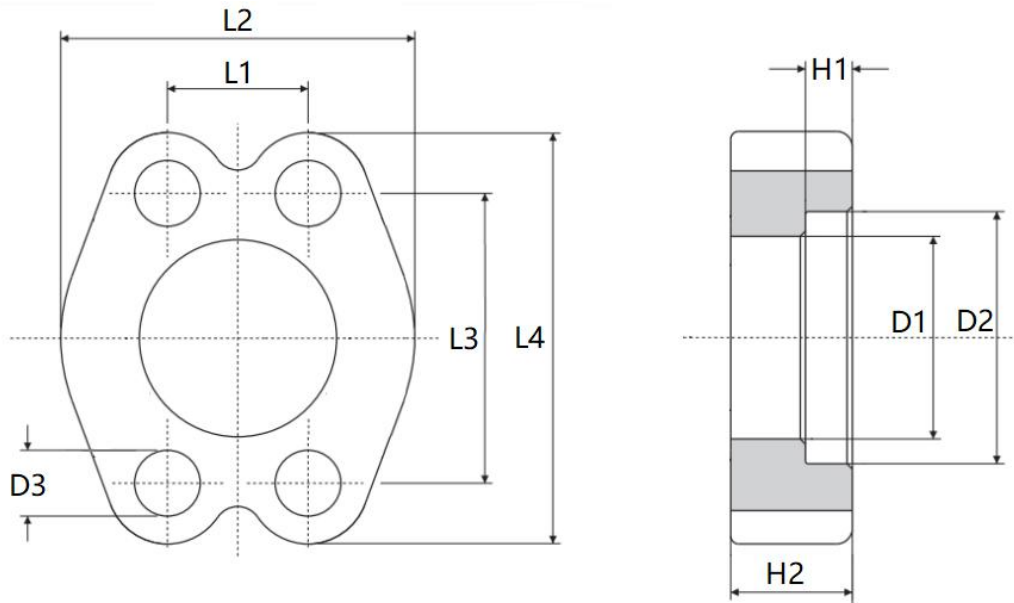
3000PSI

Type	Size Inch	Dimensions(mm)										Bolt		Weight Kg	Pressure Bar
		L1	L2	L3	L4	H1	H2	H3	D1	D2	D3	M	UNC		
VF301	1/2	17.5	46	38.1	54	6.2	13	19	31	24.5	8.5	M8	5/16	0.15	345
VF302	3/4	22.26	51.8	47.6	65	6.2	14.3	22	38.9	32.15	10.5	M10	3/8	0.21	345
VF303	1	26.16	58.4	52.4	70	7.5	16	24	45.25	38.6	10.5	M10	3/8	0.25	345
VF304	1 1/4	30.18	72.6	58.7	79	7.5	16	24	51.6	43.7	10.5	M10	—	0.36	276
VF304/U	1 1/4	30.18	72.6	58.7	79	7.5	16	24	51.6	43.7	11.8	—	7/16	0.36	276
VF304/12	1 1/4	30.18	72.6	58.7	79	7.5	16	24	51.6	43.7	12.5	M12	—	0.36	276
VF305	1 1/2	35.72	82.2	69.9	94	7.5	16	25	61.1	50.8	13.3	M12	1/2	0.48	207
VF306	2	42.88	96.4	77.8	102	9	16	26	72.25	62.75	13.3	M12	1/2	0.52	207
VF306/14	2	42.88	96.4	77.8	102	9	16	26	72.25	62.75	14.6	M14	—	0.52	207
VF307	2 1/2	50.8	108	88.9	114	9	19	38	84.95	74.95	13.3	M12	1/2	0.85	172
VF308	3	61.92	131	106	135	9	22	41	102.4	90.95	17	M16	5/8	1.38	138
VF309	3 1/2	69.84	139	121	152	10.7	22	28	115.1	102.4	17	M16	5/8	1.5	34
VF310	4	77.76	152	130	162	10.7	25	35	127.8	115.1	17	M16	5/8	1.7	34
VF311	5	92.08	180	152	184	10.7	28	41	153.2	140.5	17	M16	5/8	2.5	34

6000PSI

Type	Size Inch	Dimensions(mm)										Bolt		Weight Kg	Pressure Bar
		L1	L2	L3	L4	H1	H2	H3	D1	D2	D3	M	UNC		
VF601	1/2	18.24	47.2	40.5	56	7.2	16	22	32.55	24.65	8.5	M8	5/16	0.19	414
VF602	3/4	23.8	60	50.8	71	8.25	19	28	42.1	32.5	10.5	M10	3/8	0.35	414
VF603	1	27.78	69.6	57.2	81	9	24	33	48.4	38.9	12.6	M12	7/16	0.54	414
VF604/12	1 1/4	31.76	77.2	66.7	95	9.8	27	38	54.8	44.5	13.3	M12	1/2	0.8	414
VF604	1 1/4	31.76	77.2	66.7	95	9.8	27	38	54.8	44.5	14.6	M14	—	0.8	414
VF605	1 1/2	36.52	95	79.4	113	12	30	43	64.3	51.6	17	M16	5/8	1.4	414
VF606	2	44.46	114	96.8	133	12	37	52	80.2	67.6	21	M20	3/4	2.1	414
VF607	2 1/2	58.8	150	124	180	20.5	45	45	108.9	90	25	M24	—	4.3	414
VF608	3	71.6	198	152	215	25.5	55	55	132.5	115	31.5	M30	—	8.6	414

Flange Clamp-Flat Face



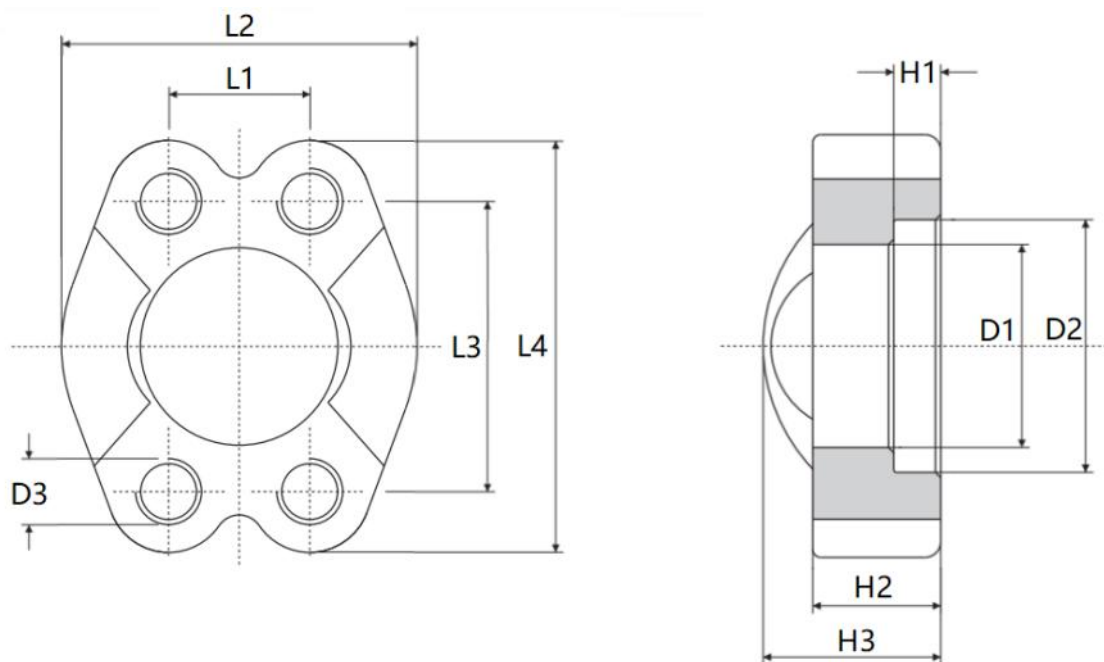
3000PSI

Type	Size Inch	Dimensions(mm)									Bolt		Weight Kg	Pressure Bar
		L1	L2	L3	L4	H1	H2	D1	D2	D3	M	UNC		
FP301	1/2	17.5	46	38.1	54	6.2	13	31	24.5	8.5	M8	5/16	0.15	345
FP302	3/4	22.26	51.8	47.6	65	6.2	14.3	38.9	32.15	10.5	M10	3/8	0.21	345
FP303	1	26.16	58.4	52.4	70	7.5	16	45.25	38.6	10.5	M10	3/8	0.25	345
FP304	1 1/4	30.18	72.6	58.7	79	7.5	16	51.6	43.7	10.5	M10	—	0.36	276
FP304/U	1 1/4	30.18	72.6	58.7	79	7.5	16	51.6	43.7	11.8	—	7/16	0.36	276
FP304/12	1 1/4	30.18	72.6	58.7	79	7.5	16	51.6	43.7	12.5	M12	—	0.36	276
FP305	1 1/2	35.72	82.2	69.9	94	7.5	16	61.1	50.8	13.3	M12	1/2	0.48	207
FP306	2	42.88	96.4	77.8	102	9	16	72.25	62.75	13.3	M12	1/2	0.52	207
FP306/14	2	42.88	96.4	77.8	102	9	16	72.25	62.75	14.6	M14	—	0.52	207
FP307	2 1/2	50.8	108	88.9	114	9	19	84.95	74.95	13.3	M12	1/2	0.85	172
FP308	3	61.92	131	106	135	9	22	102.4	90.95	17	M16	5/8	1.38	138
FP309	3 1/2	69.84	139	121	152	10.7	22	115.1	102.4	17	M16	5/8	1.5	34
FP310	4	77.76	152	130	162	10.7	25	127.8	115.1	17	M16	5/8	1.7	34
FP311	5	92.08	180	152	184	10.7	28	153.2	140.5	17	M16	5/8	2.5	34

6000PSI

Type	Size Inch	Dimensions(mm)									Bolt		Weight Kg	Pressure Bar
		L1	L2	L3	L4	H1	H2	D1	D2	D3	M	UNC		
FP601	1/2	18.24	47.2	40.5	56	7.2	16	32.55	24.65	8.5	M8	5/16	0.19	414
FP602	3/4	23.8	60	50.8	71	8.25	19	42.1	32.5	10.5	M10	3/8	0.35	414
FP603	1	27.78	69.6	57.2	81	9	24	48.4	38.9	12.6	M12	7/16	0.54	414
FP604/12	1 1/4	31.76	77.2	66.7	95	9.8	27	54.8	44.5	13.3	M12	1/2	0.8	414
FP604	1 1/4	31.76	77.2	66.7	95	9.8	27	54.8	44.5	14.6	M14	—	0.8	414
FP605	1 1/2	36.52	95	79.4	113	12	30	64.3	51.6	17	M16	5/8	1.4	414
FP606	2	44.46	114	96.8	133	12	37	80.2	67.6	21	M20	3/4	2.1	414
FP607	2 1/2	58.8	150	124	180	20.5	45	108.9	90	25	M24	—	4.3	414
FP608	3	71.6	198	152	215	25.5	55	132.5	115	31.5	M30	—	8.6	414

Counter Flange Clamp



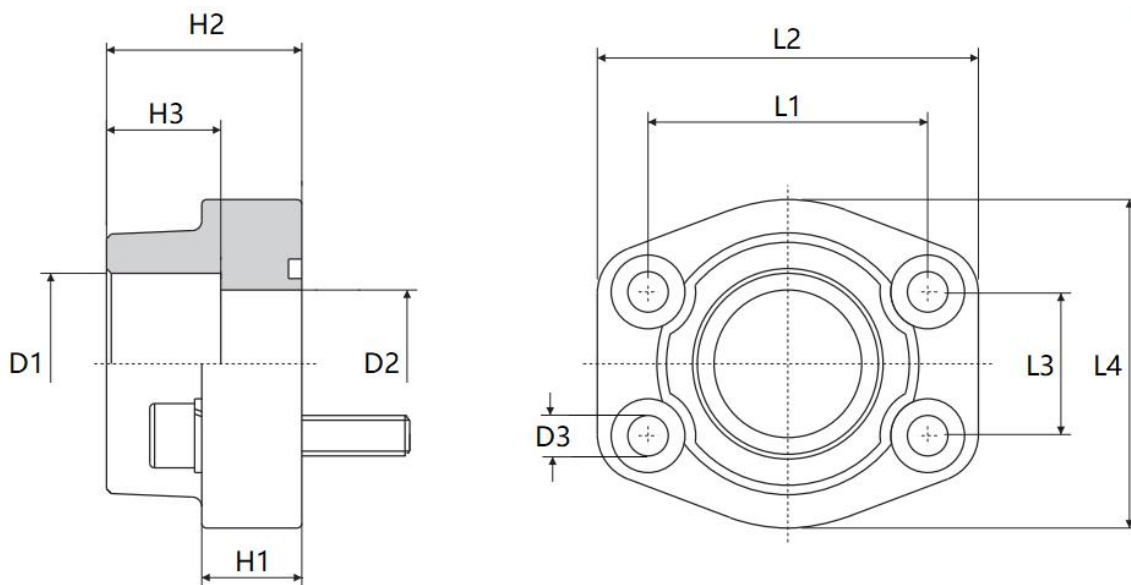
3000PSI

Type	Size Inch	Dimensions(mm)									Bolt		Weight Kg	Pressure Bar
		L1	L2	L3	L4	H1	H2	H3	D1	D2	M	UNC		
VFG301	1/2	17.5	46	38.1	54	6.2	13	19	31	24.5	M8	5/16	0.15	345
VFG302	3/4	22.26	51.8	47.6	65	6.2	14.3	22	38.9	32.15	M10	3/8	0.21	345
VFG303	1	26.16	58.4	52.4	70	7.5	16	24	45.25	38.6	M10	3/8	0.25	345
VFG304	1 1/4	30.18	72.6	58.7	79	7.5	16	24	51.6	43.7	M10	—	0.36	276
VFG304/12	1 1/4	30.18	72.6	58.7	79	7.5	16	24	51.6	43.7	M12	7/16	0.36	276
VFG305	1 1/2	35.72	82.2	69.9	94	7.5	16	25	61.1	50.8	M12	1/2	0.48	207
VFG306	2	42.88	96.4	77.8	102	9	16	26	72.25	62.75	M12	1/2	0.52	207
VFG307	2 1/2	50.8	108	88.9	114	9	19	38	84.95	74.95	M12	1/2	0.85	172
VFG308	3	61.92	131	106	135	9	22	41	102.4	90.95	M16	5/8	1.38	138
VFG309	3 1/2	69.84	139	121	152	10.7	22	28	115.1	102.4	M16	5/8	1.5	34
VFG310	4	77.76	152	130	162	10.7	25	35	127.8	115.1	M16	5/8	1.7	34
VFG311	5	92.08	180	152	184	10.7	28	41	153.2	140.5	M16	5/8	2.5	34

6000PSI

Type	Size Inch	Dimensions(mm)									Bolt		Weight Kg	Pressure Bar
		L1	L2	L3	L4	H1	H2	H3	D1	D2	M	UNC		
VFG601	1/2	18.24	47.2	40.5	56	7.2	16	22	32.55	24.65	M8	5/16	0.19	414
VFG602	3/4	23.8	60	50.8	71	8.25	19	28	42.1	32.5	M10	3/8	0.35	414
VFG603	1	27.78	69.6	57.2	81	9	24	33	48.4	38.9	M12	7/16	0.54	414
VFG604/12	1 1/4	31.76	77.2	66.7	95	9.8	27	38	54.8	44.5	M12	1/2	0.8	414
VFG604	1 1/4	31.76	77.2	66.7	95	9.8	27	38	54.8	44.5	M14	—	0.8	414
VFG605	1 1/2	36.52	95	79.4	113	12	30	43	64.3	51.6	M16	5/8	1.4	414
VFG606	2	44.46	114	96.8	133	12	37	52	80.2	67.6	M20	3/4	2.1	414

Socket Weld Flange



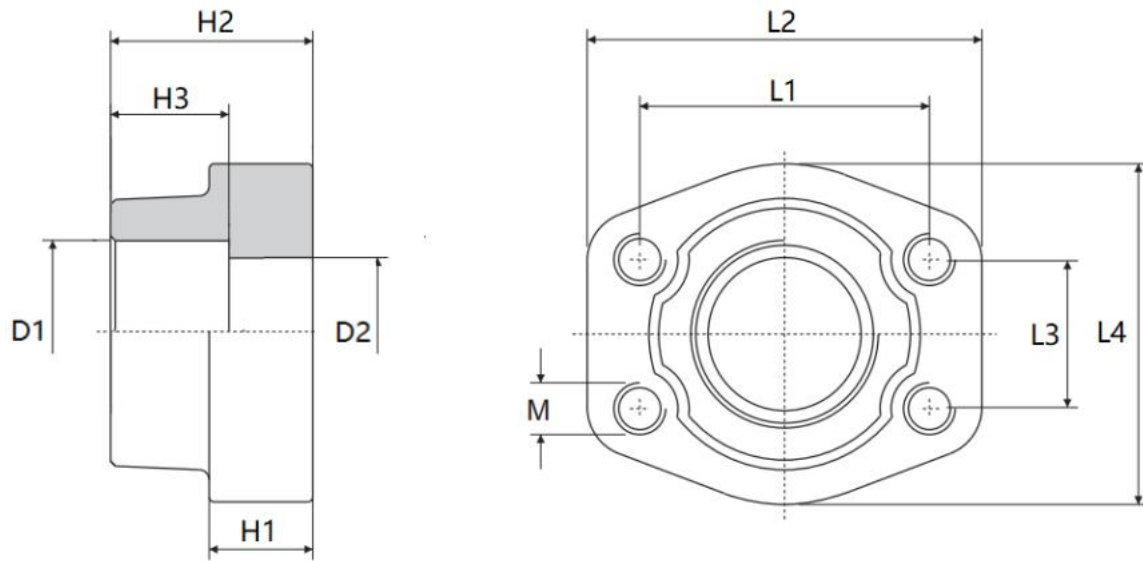
3000PSI

Type	Size Inch	Dimensions(mm)									Accessories		Weight KG	Pressure Bar	
		D1	D2	D3	L1	L2	L3	L4	H1	H2	H3	Bolt			O-Ring
AFS 301S	1/2	21.6	13	9	38.10	54	17.50	46	16	36	19	M8×30	18.66×3.53	0.25	345
AFS 302S	3/4	27.2	19	11	47.63	65	22.26	50	18	36	19	M10×35	25×3.53	0.39	345
AFS 302S/25	3/4	25.3	19	11	47.63	65	22.26	50	18	36	19	M10×35	25×3.53	0.39	345
AFS 303S	1	34	25	11	52.37	70	26.16	55	18	38	19	M10×35	32.92×3.53	0.46	345
AFS 304S	1 1/4	42.8	32	11.5	58.72	79	30.18	68	21	41	22	M10×40	37.70×3.53	0.66	276
AFS 304S/38	1 1/4	38.3	32	11.5	58.72	79	30.18	68	21	41	22	M10×40	37.70×3.53	0.66	276
AFS 305S	1 1/2	48.6	38	13.5	69.85	93	35.72	78	25	45	24	M12×45	47.22×3.53	1.05	207
AFS 305S/50	1 1/2	50.5	38	13.5	69.85	93	35.72	78	25	45	24	M12×45	47.22×3.53	1.05	207
AFS 306S	2	61	51	13.5	77.77	102	42.88	90	25	45	26	M12×45	56.75×3.53	1.19	207
AFS 307S	2 1/2	76	63	13.5	88.90	114	50.80	105	25	50	30	M12×45	69.45×3.53	1.40	172
AFS 308S	3	90.5	73	17	106.36	134	61.92	124	27	50	34	M16×50	85.32×3.53	2.15	138
AFS 309S	3 1/2	103	89	17	120.65	152	69.84	136	27	48	34	M16×50	98.02×3.53	2.40	34
AFS 310S	4	115.6	99	17	130.18	162	77.76	146	27	48	34	M16×50	110.72×3.53	2.85	34

6000PSI

Type	Size Inch	Dimensions(mm)									Accessories		Weight KG	Pressure Bar	
		D1	D2	D3	L1	L2	L3	L4	H1	H2	H3	Bolt			O-Ring
AFS 601S	1/2	21.60	13	9	40.49	54	18.24	46	16	36	19	M8×30	18.66×3.53	0.26	414
AFS 602S	3/4	27.20	19	11	50.80	71	23.80	55	21	36	22	M10×35	25×3.53	0.50	414
AFS 603S	1	34.00	25	13	57.17	81	27.78	65	25	42	22	M12×45	32.92×3.53	0.76	414
AFS 604S	1 1/4	42.80	32	15	66.68	95	31.76	78	27	45	25	M14×50	37.70×3.53	1.20	414
AFS 604S/38	1 1/4	38.30	32	15	66.68	95	31.76	78	27	45	25	M14×50	37.70×3.53	1.20	414
AFS 605S	1 1/2	48.60	38	17	79.38	112	36.52	94	30	50	28	M16×55	47.22×3.53	1.65	414
AFS 606S	2	61.00	51	21	96.82	134	44.46	114	37	65	32	M20×70	56.75×3.53	2.45	414

Socket Weld Counter Flange



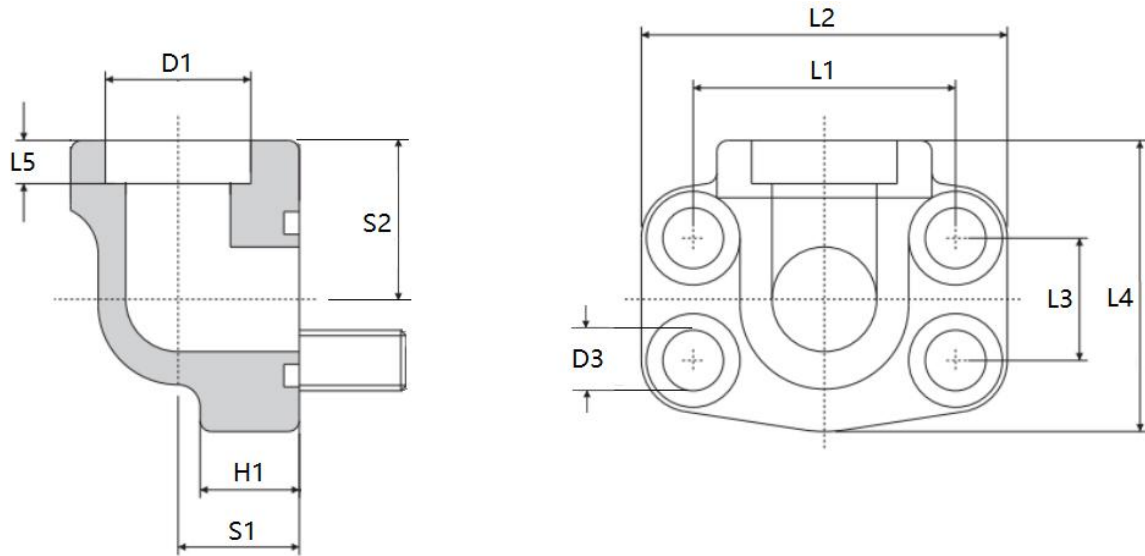
3000PSI

Type	Size Inch	Dimensions(mm)										Weight KG	Pressure Bar
		D1	D2	L1	L2	L3	L4	H1	H2	H3	M		
GFS 301S	1/2	21.6	13	38.10	54	17.50	46	16	36	19	M8	0.25	345
GFS 302S	3/4	27.2	19	47.63	65	22.26	50	18	36	19	M10	0.39	345
GFS 302S/25	3/4	25.3	19	47.63	65	22.26	50	18	36	19	M10	0.39	345
GFS 303S	1	34	25	52.37	70	26.16	55	18	38	19	M10	0.46	345
GFS 304S	1 1/4	42.8	32	58.72	79	30.18	68	21	41	22	M10	0.66	276
GFS 304S/38	1 1/4	38.3	32	58.72	79	30.18	68	21	41	22	M10	0.66	276
GFS 305S	1 1/2	48.6	38	69.85	93	35.72	78	25	45	24	M12	1.05	207
GFS 305S/50	2	50.5	38	69.85	93	35.72	78	25	45	24	M12	1.05	207
GFS 306S	2	61	51	77.77	102	42.88	90	25	45	26	M12	1.19	207
GFS 307S	2 1/2	76.6	63	88.90	114	50.80	105	25	50	30	M12	1.40	172
GFS 308S	3	90.5	73	106.36	134	61.92	124	27	50	34	M16	2.15	138
GFS 309S	3 1/2	103	89	120.65	152	69.84	136	27	48	34	M16	2.40	34
GFS 310S	4	115.6	99	130.18	162	77.76	146	27	48	34	M16	2.85	34

6000PSI

Type	Size Inch	Dimensions(mm)										Weight KG	Pressure Bar
		D1	D2	L1	L2	L3	L4	H1	H2	H3	M		
GFS 601S	1/2	21.60	13	40.49	54	18.24	46	16	36	19	M8	0.26	414
GFS 602S	3/4	27.20	19	50.80	71	23.80	55	21	36	22	M10	0.50	414
GFS 603S	1	34.00	25	57.17	81	27.78	65	25	42	22	M12	0.76	414
GFS 604S	1 1/4	42.80	32	66.68	95	31.76	78	27	45	25	M14	1.20	414
GFS 604S/38	1 1/4	38.30	32	66.68	95	31.76	78	27	45	25	M14	1.20	414
GFS 605S	1 1/2	48.60	38	79.38	112	36.52	94	30	50	28	M16	1.65	414
GFS 606S	2	61.00	51	96.82	134	44.46	114	37	65	32	M20	2.45	414

Socket-welding 90° Flange



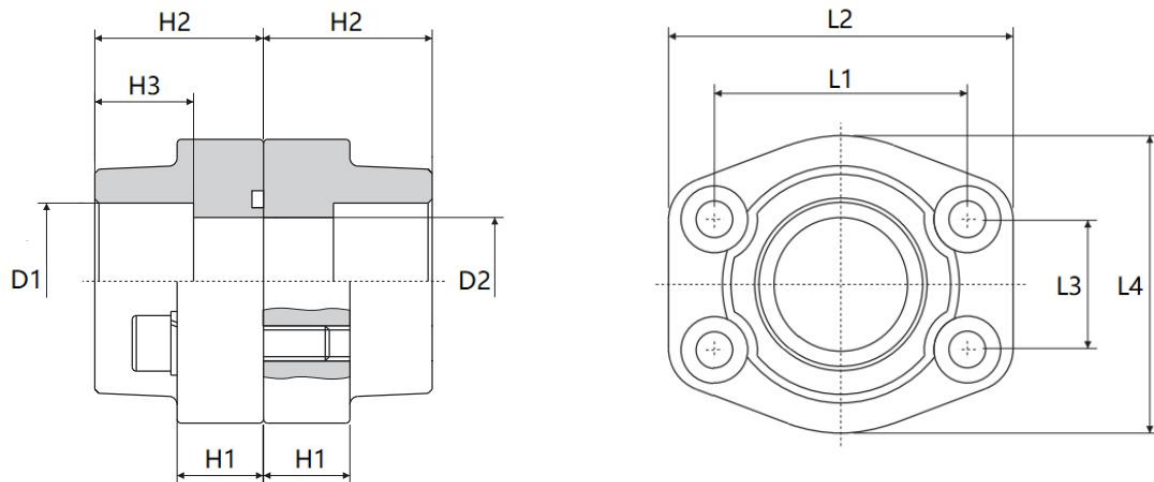
3000PSI

Type	Size Inch	Dimensions(mm)											Accessories		Weight Kg	Pressure Bar
		D1	D2	D3	L1	L2	L3	L4	L5	H	S1	S2	Bolt	O-Ring		
AFW301S	1/2	21.6	13	9	38.1	54	17.5	60	10	16	20	37	M8×30	18.66×3.53	0.4	345
AFW302S	3/4	27.2	19	11	47.63	65	22.26	63	10	18	24	38	M10×35	25.00×3.53	0.6	
AFW303S	1	34	25	11	52.37	70	26.16	70	12	19	28	43	M10×35	32.92×3.53	0.8	345
AFW304S	1 1/4	42.8	32	11.5	58.72	79	30.18	85	14	21	34	51	M10×40	37.70×3.53	1.2	
AFW305S	1 1/2	48.6	38	13.5	69.85	93	35.72	95	16	25	38	55	M12×45	47.22×3.53	1.65	207
AFW306S	2	61	51	13.5	77.77	102	42.88	110	18	25	42	65	M12×45	56.75×3.53	2	

6000PSI

Type	Size Inch	Dimensions(mm)											Accessories		Weight Kg	Pressure Bar
		D1	D2	D3	L1	L2	L3	L4	L5	H	S1	S2	Bolt	O-Ring		
AFW601S	1/2	21.6	13	9	40.49	54	18.24	60	10	16	20	37	M8×30	18.66×3.53	0.5	414
AFW602S	3/4	27.2	19	11	50.8	71	23.8	70	12	19	28	43	M10×35	25.00×3.53		
AFW603S	1	34	25	13	57.17	79	27.78	85	14	21	34	51	M12×40	32.92×3.53	1.5	414
AFW604S	1 1/4	42.8	32	15	66.68	93	31.76	95	16	25	38	56	M14×45	37.70×3.53		
AFW605S	1 1/2	48.6	38	17	79.38	112	36.52	100	18	25	42	65	M16×45	47.22×3.53	2.8	414
AFW606S	2	61	51	21	96.82	134	44.46	150	18	29	60	92	M20×55	56.75×3.53		

Socket Weld Flange Coupling



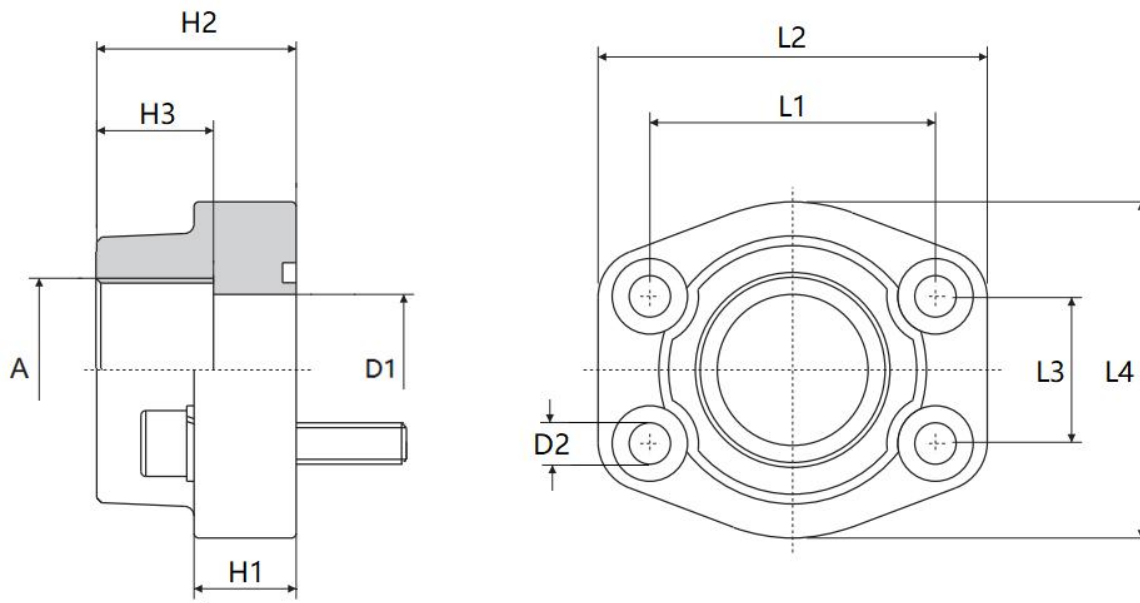
3000PSI

Type	Size Inch	Dimensions(mm)									Accessories		Weight KG	Pressure Bar
		D1	D2	L1	L2	L3	L4	H1	H2	H3	Bolt	O-Ring		
DFS 301S	1/2	21.6	13	38.10	54	17.50	46	16	36	19	M8×30	18.66×3.53	0.25	345
DFS 302S	3/4	27.2	19	47.63	65	22.26	50	18	36	19	M10×35	25×3.53	0.39	345
DFS 302S/25	3/4	25.3	19	47.63	65	22.26	50	18	36	19	M10×35	25×3.53	0.39	345
DFS 303S	1	34	25	52.37	70	26.16	55	18	38	19	M10×35	32.92×3.53	0.46	345
DFS 304S	1 1/4	42.8	32	58.72	79	30.18	68	21	41	22	M10×40	37.70×3.53	0.66	276
DFS 304S/38	1 1/4	38.3	32	58.72	79	30.18	68	21	41	22	M10×40	37.70×3.53	0.66	276
DFS 305S	1 1/2	48.6	38	69.85	93	35.72	78	25	45	24	M12×45	47.22×3.53	1.05	207
DFS 305S/50	1 1/2	50.5	38	69.85	93	35.72	78	25	45	24	M12×45	47.22×3.53	1.05	207
DFS 306S	2	61	51	77.77	102	42.88	90	25	45	26	M12×45	56.75×3.53	1.19	207
DFS 307S	2 1/2	76	63	88.90	114	50.80	105	25	50	30	M12×45	69.45×3.53	1.40	172
DFS 308S	3	90.5	73	106.36	134	61.92	124	27	50	34	M16×50	85.32×3.53	2.15	138
DFS 309S	3 1/2	103	89	120.65	152	69.84	136	27	48	34	M16×50	98.02×3.53	2.40	34
DFS 310S	4	115.6	99	130.18	162	77.76	146	27	48	34	M16×50	110.72×3.53	2.85	34

6000PSI

Type	Size Inch	Dimensions(mm)									Accessories		Weight KG	Pressure Bar
		D1	D2	L1	L2	L3	L4	H1	H2	H3	Bolt	O-Ring		
DFS 601S	1/2	21.60	13	40.49	54	18.24	46	16	36	19	M8×30	18.66×3.53	0.26	414
DFS 602S	3/4	27.20	19	50.80	71	23.80	55	21	36	22	M10×35	25×3.53	0.50	414
DFS 603S	1	34.00	25	57.17	81	27.78	65	25	42	22	M12×45	32.92×3.53	0.76	414
DFS 604S	1 1/4	42.80	32	66.68	95	31.76	78	27	45	25	M14×50	37.70×3.53	1.20	414
DFS 604S/38	1 1/4	38.30	32	66.68	95	31.76	78	27	45	25	M14×50	37.70×3.53	1.20	414
DFS 605S	1 1/2	48.60	38	79.38	112	36.52	94	30	50	28	M16×55	47.22×3.53	1.65	414
DFS 606S	2	61.00	51	96.82	134	44.46	114	37	65	32	M20×70	56.75×3.53	2.45	414

BSPP Thread Flange



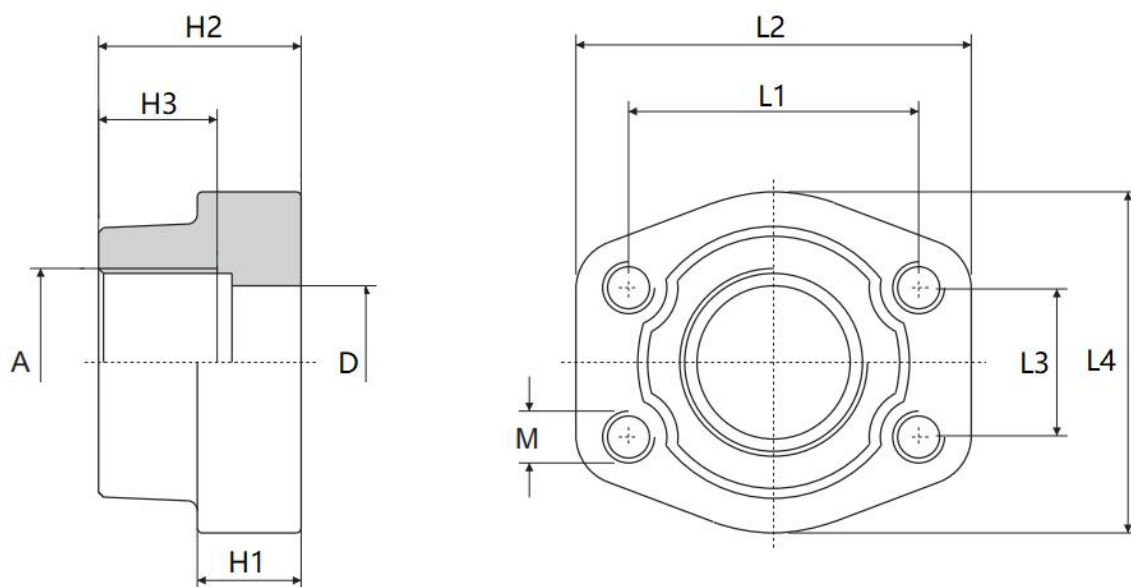
3000PSI

Type	Size Inch	Dimensions(mm)									Accessories		Weight Kg	Pressure Bar	
		A	D1	D2	L1	L2	L3	L4	H1	H2	H3	Bolt			O-Ring
AFS301G	1/2	G1/2	13	9	38.1	54	17.5	46	16	36	19	M8×30	18.66×3.53	0.25	345
AFS302G	3/4	G3/4	19	11	47.63	65	22.26	50	18	36	19	M10×35	25.00×3.53	0.39	345
AFS303G	1	G1	25	11	52.37	70	26.16	55	18	38	19	M10×35	32.92×3.53	0.46	345
AFS304G	1 1/4	G1 1/4	32	11.5	58.72	79	30.18	68	21	41	22	M10×40	37.70×3.53	0.66	276
AFS305G	1 1/2	G1 1/2	38	13.5	69.85	93	35.72	78	25	45	24	M12×45	47.22×3.53	1.05	207
AFS306G	2	G2	51	13.5	77.77	102	42.88	90	25	45	26	M12×45	56.75×3.53	1.19	207
AFS307G	2 1/2	G2 1/2	63	13.5	88.9	114	50.8	105	25	50	30	M12×45	69.45×3.53	1.4	172
AFS308G	3	G3	73	17	106.38	134	61.92	124	27	50	34	M16×50	85.32×3.53	2.15	138

6000PSI

Type	Size Inch	Dimensions(mm)									Accessories		Weight Kg	Pressure Bar	
		A	D1	D2	L1	L2	L3	L4	H1	H2	H3	Bolt			O-Ring
AFS601G	1/2	G1/2	13	9	40.49	54	18.24	46	16	36	19	M8*30	18.66×3.53	0.26	414
AFS602G	3/4	G3/4	19	11	50.8	71	23.8	55	21	36	22	M10*35	25.00×3.53	0.5	414
AFS603G	1	G1	25	13	57.17	81	27.78	65	25	42	22	M12*50	32.92×3.53	0.76	414
AFS604G	1 1/4	G1 1/4	32	15	66.68	95	31.78	78	27	45	25	M14*50	37.70×3.53	1.2	414
AFS605G	1 1/2	G1 1/2	38	17	79.38	112	36.52	94	30	50	28	M16*55	47.22×3.53	1.65	414
AFS606G	2	G2	51	21	96.82	134	44.46	114	37	65	32	M20*70	56.75×3.53	2.45	414

BSPP Thread Counter Flange



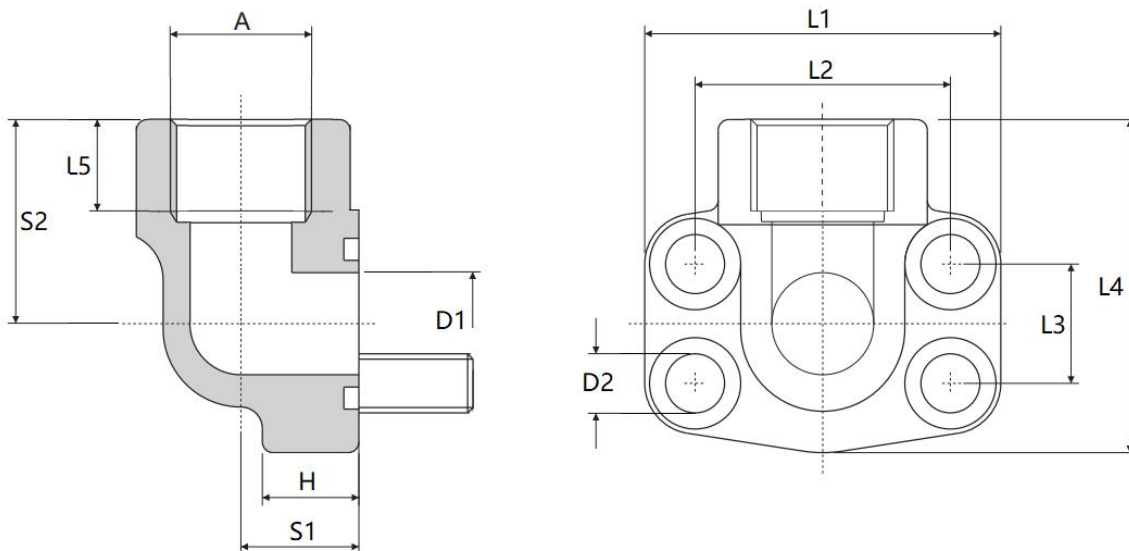
3000PSI

Type	Size Inch	Dimensions(mm)										Weight Kg	Pressure Bar
		A	D	L1	L2	L3	L4	H1	H2	H3	M		
GFS301G	1/2	G1/2	13	38.1	54	17.5	46	16	36	19	M8	0.25	345
GFS302G	3/4	G3/4	19	47.6	65	22.3	50	18	36	19	M10	0.39	345
GFS303G	1	G1	25	52.4	70	30.2	55	18	38	19	M10	0.46	345
GFS304G	1 1/4	G1 1/4	32	58.7	79	35.7	68	21	41	22	M10	0.66	276
GFS305G	1 1/2	G1 1/2	38	69.9	93	42.9	78	25	45	24	M12	1.05	207
GFS306G	2	G2	51	77.8	102	50.8	90	25	45	26	M12	1.19	207
GFS307G	2 1/2	G2 1/2	63	88.9	114	50.8	105	25	50	30	M12	1.4	172
GFS308G	3	G3	73	106	134	61.9	124	27	50	34	M16	2.15	138

6000PSI

Type	Size Inch	Dimensions(mm)										Weight Kg	Pressure Bar
		A	D	L1	L2	L3	L4	H1	H2	H3	M		
GFS601G	1/2	G1/2	13	40.5	54	18.2	46	16	36	19	M8	0.26	414
GFS602G	3/4	G3/4	19	50.8	71	23.8	55	21	36	22	M10	0.5	414
GFS603G	1	G1	25	57.2	81	27.8	65	25	42	22	M12	0.76	414
GFS604G	1 1/4	G1 1/4	32	66.7	95	31.8	78	27	45	25	M14	1.2	414
GFS605G	1 1/2	G1 1/2	38	79.4	112	36.5	94	30	50	28	M16	1.65	414
GFS606G	2	G2	51	96.8	134	44.5	114	37	65	32	M20	2.45	414

90° BSPP Thread Flange



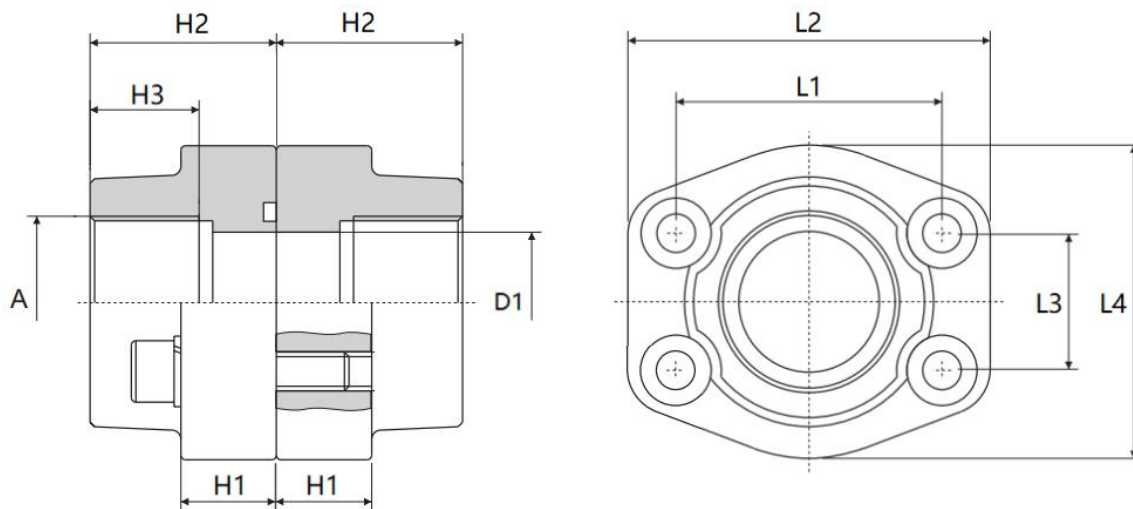
3000PSI

Type	Size Inch	Dimensions(mm)											Accessories		Weight Kg	Pressure Bar
		A	D1	D2	L1	L2	L3	L4	L5	H	S1	S2	Bolt	O-Ring		
AFW301G	1/2	G1/2	13	9	38.1	54	17.5	60	19	16	20	37	M8×30	18.66×3.53	0.4	345
AFW302G	3/4	G3/4	19	11	47.63	65	22.26	63	19	18	24	38	M10×35	25.00×3.53	0.6	345
AFW303G	1	G1	25	11	52.37	70	26.16	70	20	19	28	43	M10×35	32.92×3.53	0.8	345
AFW304G	1 1/4	G1 1/4	32	11	58.72	79	30.18	85	22	21	34	51	M10×40	37.70×3.53	1.2	276
AFW305G	1 1/2	G1 1/2	38	13.5	69.85	93	35.72	95	25	25	38	56	M12×45	47.22×3.53	1.65	207
AFW306G	2	G2	51	13.5	77.77	102	42.88	110	28	25	42	65	M12×45	56.75×3.53	2	207

6000PSI

Type	Size Inch	Dimensions(mm)											Accessories		Weight Kg	Pressure Bar
		A	D1	D2	L1	L2	L3	L4	L5	H	S1	S2	Bolt	O-Ring		
AFW601G	1/2	G1/2	13	9	40.49	54	18.24	60	19	16	20	37	M8×30	18.66×3.53	0.5	414
AFW602G	3/4	G3/4	19	11	50.8	70	23.8	70	19	19	28	43	M10×35	25.00×3.53	1.25	414
AFW603G	1	G1	25	13	57.17	79	27.78	85	20	21	34	51	M12×40	32.92×3.53	1.5	414
AFW604G	1 1/4	G1 1/4	32	15	66.68	93	31.76	95	22	25	38	56	M14×45	37.70×3.53	1.8	414
AFW605G	1 1/2	G1 1/2	38	17	79.38	110	36.52	100	25	25	42	65	M16×45	47.22×3.53	2.8	414
AFW606G	2	G2	51	21	96.82	134	44.46	150	28	29	60	92	M20×55	56.75×3.53	4	414

BSPB Thread Flange



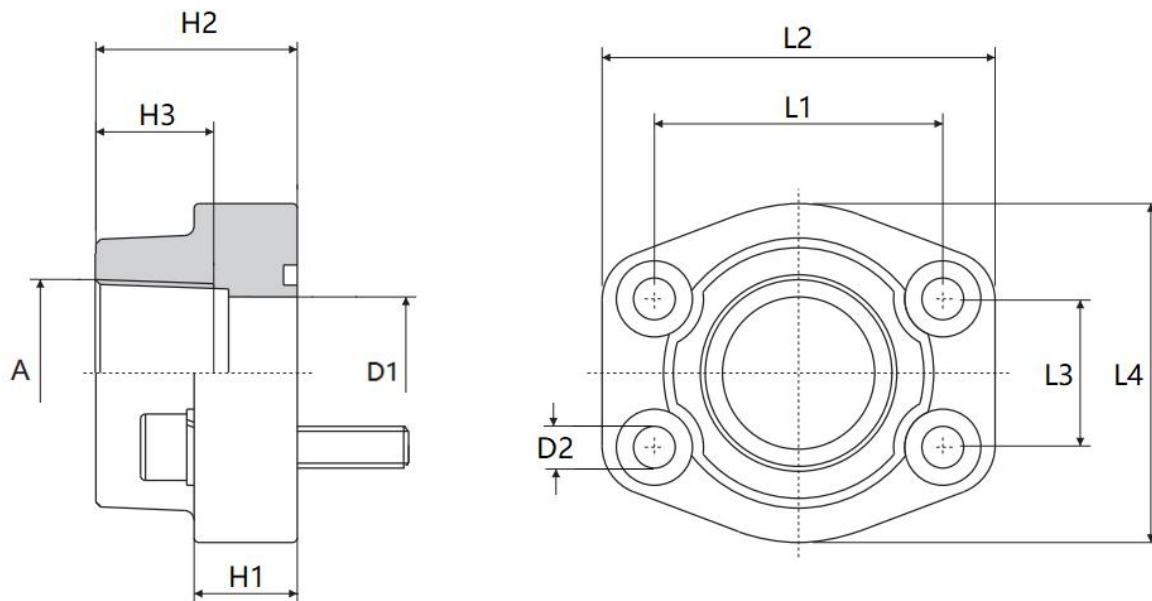
3000PSI

Type	Size Inch	Dimensions(mm)									Accessories		Weight Kg	Pressure Bar
		A	D1	L1	L2	L3	L4	H1	H2	H3	Bolt	O-Ring		
DFS301G	1/2	G1/2	13	38.1	54	17.5	46	16	36	19	M8×30	18.66×3.53	0.25	345
DFS302G	3/4	G3/4	19	47.63	65	22.26	50	18	36	19	M10×35	25.00×3.53	0.39	345
DFS303G	1	G1	25	52.37	70	26.16	55	18	38	19	M10×35	32.92×3.53	0.46	345
DFS304G	1 1/4	G1 1/4	32	58.72	79	30.18	68	21	41	22	M10×40	37.70×3.53	0.66	276
DFS305G	1 1/2	G1 1/2	38	69.85	93	35.72	78	25	45	24	M12×45	47.22×3.53	1.05	207
DFS306G	2	G2	51	77.77	102	42.88	90	25	45	26	M12×45	56.75×3.53	1.19	207
DFS307G	2 1/2	G2 1/2	63	88.9	114	50.8	105	25	50	30	M12×45	69.45×3.53	1.4	172
DFS308G	3	G3	73	106.38	134	61.92	124	27	50	34	M16×50	85.32×3.53	2.15	138

6000PSI

Type	Size Inch	Dimensions(mm)									Accessories		Weight Kg	Pressure Bar
		A	D1	L1	L2	L3	L4	H1	H2	H3	Bolt	O-Ring		
DFS601G	1/2	G1/2	13	40.49	54	18.24	46	16	36	19	M8*30	18.66×3.53	0.26	414
DFS602G	3/4	G3/4	19	50.8	71	23.8	55	21	36	22	M10*35	25.00×3.53	0.5	414
DFS603G	1	G1	25	57.17	81	27.78	65	25	42	22	M12*50	32.92×3.53	0.76	414
DFS604G	1 1/4	G1 1/4	32	66.68	95	31.78	78	27	45	25	M14*50	37.70×3.53	1.2	414
DFS605G	1 1/2	G1 1/2	38	79.38	112	36.52	94	30	50	28	M16*55	47.22×3.53	1.65	414
DFS606G	2	G2	51	96.82	134	44.46	114	37	65	32	M20*70	56.75×3.53	2.45	414

NPT Thread Flange



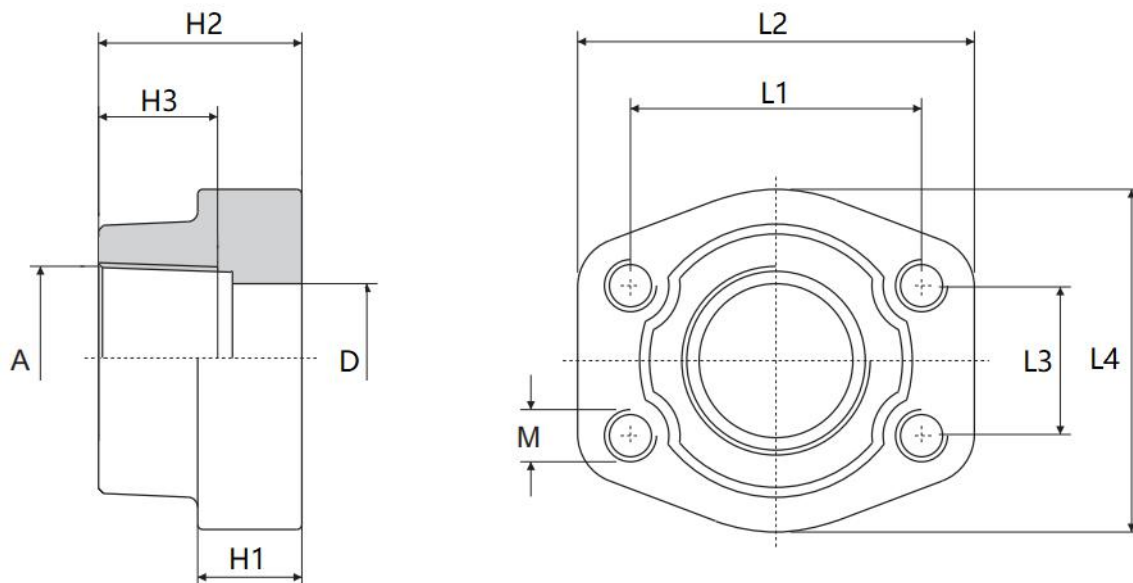
3000PSI

Type	Size Inch	Dimensions(mm)										Accessories		Weight Kg	Pressure Bar
		A	D1	D2	L1	L2	L3	L4	H1	H2	H3	Bolt	O-Ring		
AFS301N	1/2	NPT1/2	13	9	38.1	54	17.5	46	16	36	19	M8×30	18.66×3.53	0.25	345
AFS302N	3/4	NPT3/4	19	11	47.63	65	22.26	50	18	36	19	M10×35	25.00×3.53	0.39	345
AFS303N	1	NPT1	25	11	52.37	70	26.16	55	18	38	19	M10×35	32.92×3.53	0.46	345
AFS304N	1 1/4	NPT1 1/4	32	11.5	58.72	79	30.18	68	21	41	22	M10×40	37.70×3.53	0.66	276
AFS305N	1 1/2	NPT1 1/2	38	13.5	69.85	93	35.72	78	25	45	24	M12×45	47.22×3.53	1.05	207
AFS306N	2	NPT2	51	13.5	77.77	102	42.88	90	25	45	26	M12×45	56.75×3.53	1.19	207
AFS307N	2 1/2	NPT2 1/2	63	13.5	88.9	114	50.8	105	25	50	30	M12×45	69.45×3.53	1.4	172
AFS308N	3	NPT3	73	17	106.38	134	61.92	124	27	50	34	M16×50	85.32×3.53	2.15	138

6000PSI

Type	Size Inch	Dimensions(mm)										Accessories		Weight Kg	Pressure Bar
		A	D1	D2	L1	L2	L3	L4	H1	H2	H3	Bolt	O-Ring		
AFS601N	1/2	NPT1/2	13	9	40.49	54	18.24	46	16	36	19	M8×30	18.66×3.53	0.26	414
AFS602N	3/4	NPT3/4	19	11	50.8	71	23.8	55	21	36	22	M10×35	25.00×3.53	0.5	414
AFS603N	1	NPT1	25	13	57.17	81	27.78	65	25	42	22	M12×45	32.92×3.53	0.76	414
AFS604N	1 1/4	NPT1 1/4	32	15	66.68	95	31.78	78	27	45	25	M14×50	37.7×3.53	1.2	414
AFS605N	1 1/2	NPT1 1/2	38	17	79.38	112	36.52	94	30	50	28	M16×55	47.22×3.53	1.65	414
AFS606N	2	NPT2	51	21	96.82	134	44.46	114	37	65	32	M20×70	56.75×3.53	2.45	414

NPT Thread Counter Flange



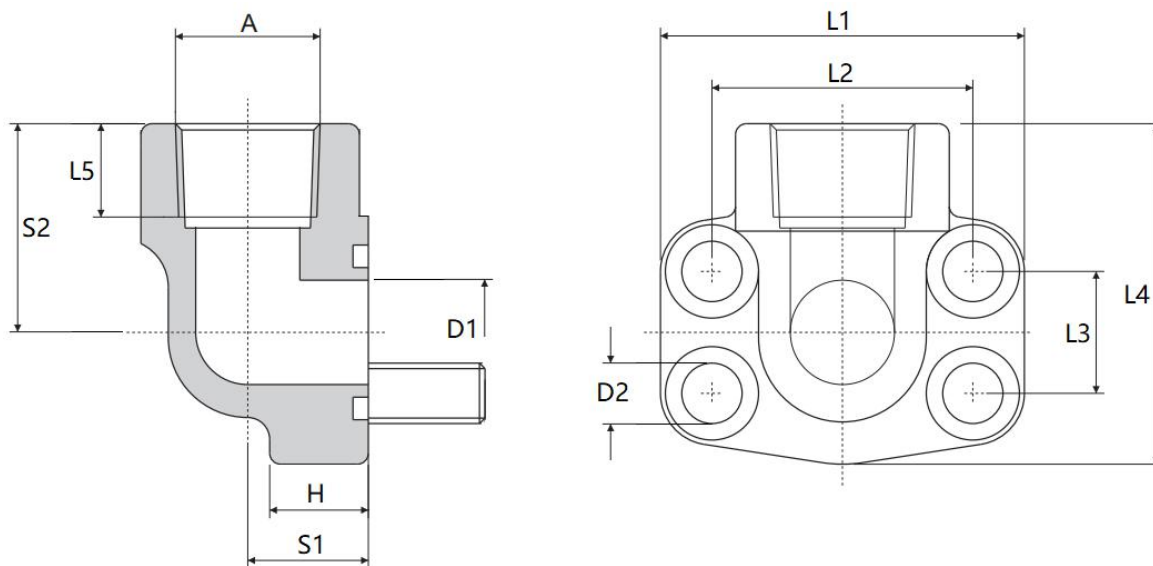
3000PSI

Type	Size Inch	Dimensions(mm)										Weight Kg	Pressure Bar
		A	D	L1	L2	L3	L4	H1	H2	H3	M		
GFS301N	1/2	NPT1/2	13	38.1	54	17.5	46	16	36	19	M8	0.25	345
GFS302N	3/4	NPT3/4	19	47.6	65	22.3	50	18	36	19	M10	0.39	345
GFS303N	1	NPT1	25	52.4	70	26.2	55	18	38	19	M10	0.46	345
GFS304N	1 1/4	NPT1 1/4	32	58.7	79	30.2	68	21	41	22	M10	0.66	276
GFS305N	1 1/2	NPT1 1/2	38	69.9	93	35.7	78	25	45	24	M12	1.05	207
GFS306N	2	NPT2	51	77.8	102	42.9	90	25	45	26	M12	1.19	207
GFS307N	2 1/2	NPT2 1/2	63	88.9	114	50.8	105	25	50	30	M12	1.4	172
GFS308N	3	NPT3	73	106	134	61.9	124	27	50	34	M16	2.15	138

6000PSI

Type	Size Inch	Dimensions(mm)										Weight Kg	Pressure Bar
		A	D	L1	L2	L3	L4	H1	H2	H3	M		
GFS601N	1/2	NPT1/2	13	40.5	54	18.2	46	16	36	19	M8	0.26	414
GFS602N	3/4	NPT3/4	19	50.8	71	23.8	55	21	36	22	M10	0.5	414
GFS603N	1	NPT1	25	57.2	81	27.8	65	25	42	22	M12	0.76	414
GFS604N	1 1/4	NPT1 1/4	32	66.7	95	31.8	78	27	45	25	M14	1.2	414
GFS605N	1 1/2	NPT1 1/2	38	79.4	112	36.5	94	30	50	28	M16	1.65	414
GFS606N	2	NPT2	51	96.8	134	44.5	114	37	65	32	M20	2.45	414

90° NPT Thread Flange



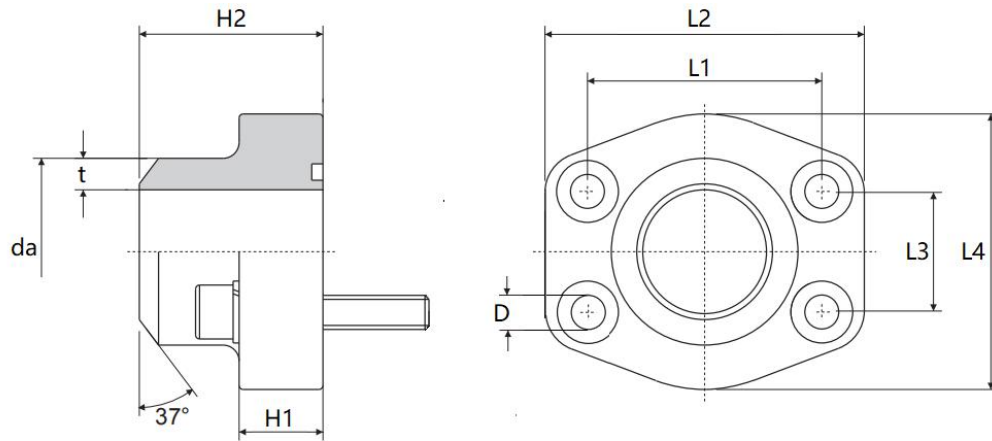
3000PSI

Type	Size Inch	Dimensions(mm)											Accessories		Weight Kg	Pressure Bar
		A	D1	D2	L1	L2	L3	L4	L5	H	S1	S2	Bolt	O-Ring		
AFW301N	1/2	NPT1/2	13	9	38.1	54	17.5	60	19	16	20	37	M8×30	18.66×3.53	0.4	345
AFW302N	3/4	NPT3/4	19	11	47.63	65	22.26	63	19	18	24	38	M10×35	25.00×3.53	0.6	345
AFW303N	1	NPT1	25	11	52.37	70	26.16	70	20	19	28	43	M10×35	32.92×3.53	0.8	345
AFW304N	1 1/4	NPT1 1/4	32	11	58.72	79	30.18	85	22	21	34	51	M10×40	37.70×3.53	1.2	276
AFW305N	1 1/2	NPT1 1/2	38	13.5	69.85	93	35.72	95	25	25	38	56	M12×45	47.22×3.53	1.65	207
AFW306N	2	NPT2	51	13.5	77.77	102	42.88	110	28	25	42	65	M12×45	56.75×3.53	2	207

6000PSI

Type	Size Inch	Dimensions(mm)											Accessories		Weight Kg	Pressure Bar
		A	D1	D2	L1	L2	L3	L4	L5	H	S1	S2	Bolt	O-Ring		
AFW601N	1/2	NPT1/2	13	9	40.49	54	18.24	60	19	16	20	37	M8×30	18.66×3.53	0.5	414
AFW602N	3/4	NPT3/4	19	11	50.8	70	23.8	70	19	19	28	43	M10×35	25.00×3.53	1.25	414
AFW603N	1	NPT1	25	13	57.17	79	27.78	85	20	21	34	51	M12×40	32.92×3.53	1.5	414
AFW604N	1 1/4	NPT1 1/4	32	15	66.68	93	31.76	95	22	25	38	56	M14×45	37.70×3.53	1.8	414
AFW605N	1 1/2	NPT1 1/2	38	17	79.38	110	36.52	100	25	25	42	65	M16×45	47.22×3.53	2.8	414
AFW606N	2	NPT2	51	21	96.82	134	44.46	150	28	29	60	92	M20×55	56.75×3.53	4	414

Butt Weld Flange



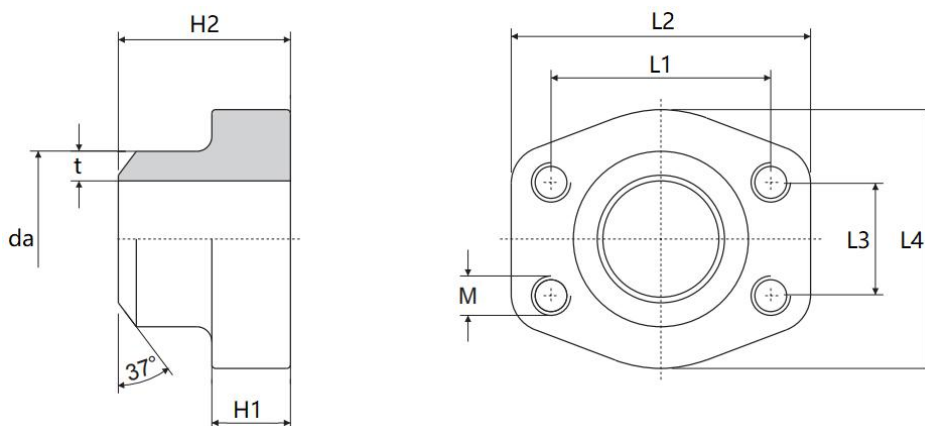
3000PSI

Type	Size Inch	Dimensions(mm)								Accessories		Weight Kg	Pressure Bar
		da x t	L1	L2	L3	L4	H1	H2	D	Bolt	O-Ring		
AFS301T	1/2	16×2.5 20×3 21.6×4.3	38.1	54	17.5	46	16	36	9	M8×30	18.66×3.53	0.28	345
AFS302T	3/4	25×3 26.9×3.6 28×4.5	47.63	65	22.26	50	18	36	11	M10×35	25.00×3.53	0.39	345
AFS303T	1	30×4 33.7×3.6 34×4.5/3 5×4	52.37	70	26.16	55	18	38	11	M10×35	32.92×3.53	0.46	345
AFS304T	1 1/4	38×4 42.4×3.6 42.8×5.5	58.72	79	30.18	68	21	41	11.5	M10×40	37.70×3.53	0.66	276
AFS305T	1 1/2	42.2×4 48.3×4 48.6×5.5	69.85	93	35.72	78	25	45	13.5	M12×45	47.22×3.53	1.05	207
AFS306T	2	60.3×4 61×5.5	77.77	102	42.88	90	25	45	13.5	M12×45	56.75×3.53	1.09	207
AFS307T	2 1/2	76.1×4 77×7.1	88.9	114	50.8	105	25	50	13.5	M12×45	69.45×3.53	1.4	172
AFS308T	3	76.1×4 76.1×7.1 89×4 92×9	106.4	135	61.92	124	27	50	17	M16×50	85.32×3.53	2.15	138
AFS309T	3 1/2	89×4 103×7	120.7	152	69.85	136	27	48	17	M16×50	98.02×3.53	2.4	34
AFS310T	4	114.3×4 115.5×8	130.2	162	77.76	146	27	48	17	M16×50	110.72×3.53	2.85	34

6000PSI

Type	Size Inch	Dimensions(mm)								Accessories		Weight Kg	Pressure Bar
		da x t	L1	L2	L3	L4	H1	H2	D	Bolt	O-Ring		
AFS601T	1/2	16×2.5 20×3 21.6×4.3	40.49	54	18.24	46	16	36	9	M8×30	18.66×3.53	0.35	414
AFS602T	3/4	20×3 25×4 26.9×3.6 28×4.5	50.8	71	23.82	55	21	36	11	M10×35	25.00×3.53	0.65	414
AFS603T	1	25×4 30×5 33.7×7.1 34×4.5	57.17	81	27.78	65	25	42	13	M12×45	32.92×3.53	1.05	414
AFS604T	1 1/4	30×5 38×6 42.4×8.8 42.8×5.5	66.68	95	31.76	78	27	45	15	M14×50	37.70×3.53	1.53	414
AFS605T	1 1/2	48.3×8.8 48.6×5.5 30.3×10	79.38	112	36.52	94	30	50	17	M16×55	47.22×3.53	2.5	350
AFS606T	2	30.3×10 61×9 61×5.5 76.1×12.5	96.82	134	44.46	114	37	65	21	M20×70	56.75×.53	4.2	350

Butt Weld Counter Flange



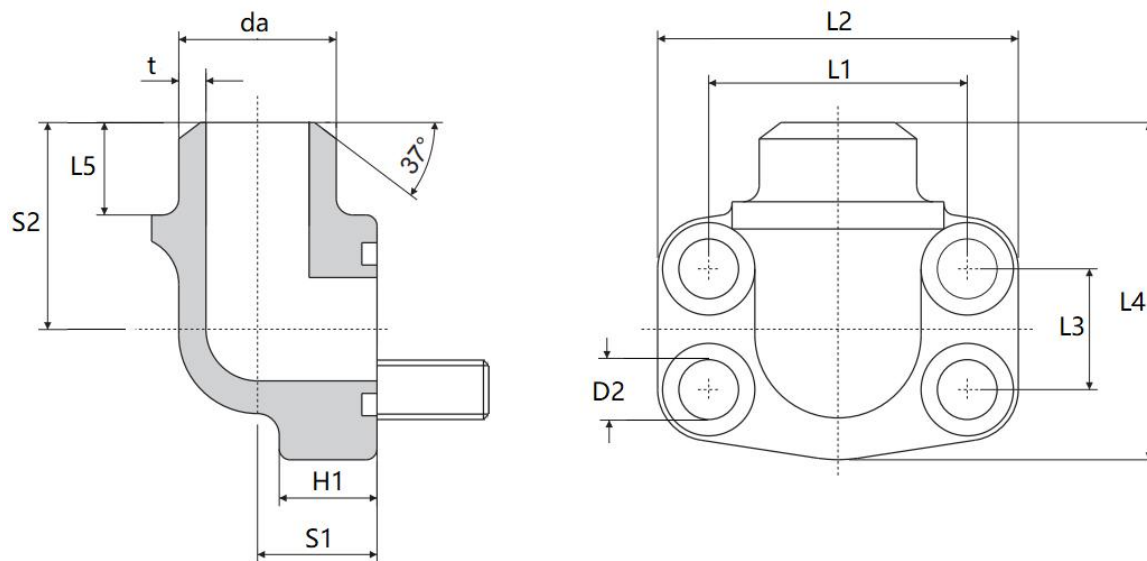
3000PSI

Type	Size Inch	Dimensions(mm)								Weight Kg	Pressure Bar
		da×t	L1	L2	L3	L4	H1	H2	M		
GFS301T	1/2	16×2.5 20×3 21.6×4.3	38.1	54	17.5	46	16	36	M8	0.28	345
GFS302T	3/4	25×3 26.9×3.6 28×4.5	47.63	65	22.26	50	18	36	M10	0.39	345
GFS303T	1	30×4 33.7×3.6 34×4.5 35×4	52.37	70	26.16	55	18	38	M10	0.46	345
GFS304T	1 1/4	38×4 42.4×3.6 42.8×5.5	58.72	79	30.18	68	21	41	M10	0.66	276
GFS305T	1 1/2	42.2×4 48.3×4 48.6×5.5	69.85	93	35.72	78	25	45	M12	1.05	207
GFS306T	2	60.3×4 61×5.5	77.77	102	42.88	90	25	45	M12	1.09	207
GFS307T	2 1/2	76.1×5.5 77×7.1	88.9	114	50.8	105	25	50	M12	1.4	172
GFS308T	3	76.1×4 76.1×7.1 89×4 92×9	106.4	135	61.92	124	27	50	M16	2.15	138
GFS309T	3 1/2	89×4 103×7	120.7	152	69.85	136	27	48	M16	2.4	34
GFS310T	4	114.3×4 115.5×8	130.2	162	77.76	146	27	48	M16	2.85	34

6000PSI

Type	Size Inch	Dimensions(mm)								Weight Kg	Pressure Bar
		da×t	L1	L2	L3	L4	H1	H2	M		
GFS601T	1/2	16×2.5 20×3 21.6×4.3	40.49	54	18.24	46	16	36	M8	0.35	414
GFS602T	3/4	20×3 25×4 26.9×3.6 28×4.5	50.8	71	23.82	55	21	36	M10	0.65	414
GFS603T	1	25×4 30×5 33.7×7.1 34×4.5	57.17	81	27.78	65	25	42	M12	1.05	414
GFS604T	1 1/4	30×5 38×6 42.4×8.8 42.8×5.5	66.68	95	31.76	78	27	45	M14	1.53	414
GFS605T	1 1/2	48.3×8.8 48.6×5.5 60.3×10	79.38	112	36.52	94	30	50	M16	2.5	350
GFS606T	2	60.3×10 61×9 61×5.5 76.1×12.5	96.82	134	44.46	114	37	65	M20	4.2	350

90° Butt Weld Flange



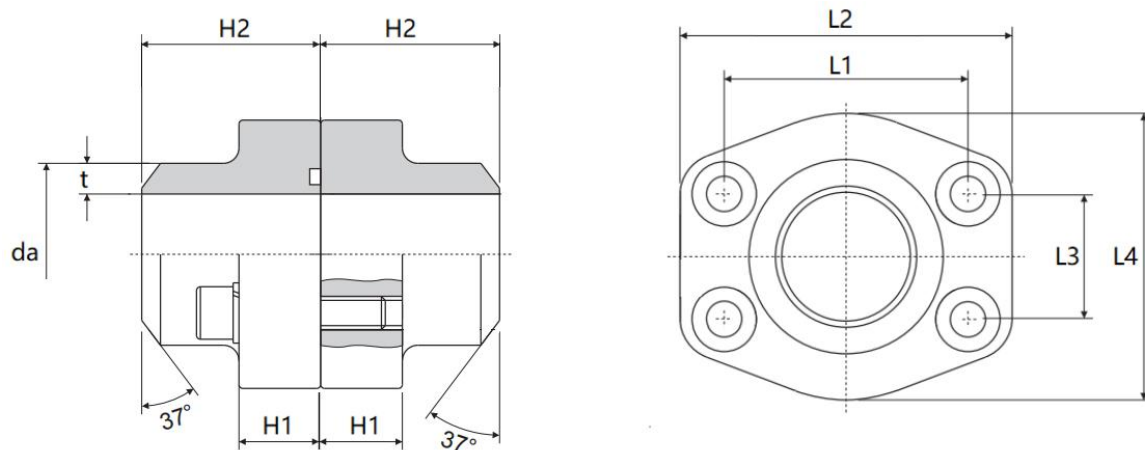
3000PSI

Type	Size Inch	Dimensions(mm)											Accessories		Weight Kg	Pressure Bar
		da×t	D1	D2	L1	L2	L3	L4	L5	H	S1	S2	Bolt	O-Ring		
AFW301T	1/2	20×3 22×4	13	9	38.1	54	17.5	60	10	16	20	37	M8×30	18.66× 3.53	0.4	345
AFW302T	3/4	25×3 28×4	19	11	47.63	65	22.26	63	10	18	24	38	M10×35	25.00× 3.53	0.6	345
AFW303T	1	30×4 35×4	25	11	52.37	70	26.16	70	12	19	28	43	M10×35	32.92× 3.53	0.8	345
AFW304T	1 1/4	38×4 42.4×4	32	11	58.72	79	30.18	85	14	21	34	51	M10×40	37.70× 3.53	1.2	276
AFW305T	1 1/2	42.4×4 48.3×4.5	38	13.5	69.85	93	35.72	95	16	25	38	56	M12×45	47.22× 3.53	1.65	207
AFW306T	2	60.3×5.6	51	13.5	77.77	102	42.88	110	18	25	42	65	M12×45	56.75× 3.53	2	207

6000PSI

Type	Size Inch	Dimensions(mm)											Accessories		Weight Kg	Pressure Bar
		da×t	D1	D2	L1	L2	L3	L4	L5	H	S1	S2	Bolt	O-Ring		
AFW601T	1/2	20×3 22×4	13	9	40.49	54	18.24	60	10	16	20	37	M8×30	18.66× 3.53	0.5	414
AFW602T	3/4	25×4 28×4.5	19	11	50.8	70	23.8	70	12	19	28	46	M10×35	25.00× 3.53	1.25	414
AFW603T	1	30×4 35×5	25	13	57.17	79	27.78	85	14	21	34	51	M12×40	32.92× 3.53	1.5	414
AFW604T	1 1/4	38×5 42.4×6	32	15	66.68	93	31.76	95	16	25	38	56	M14×45	37.70× 3.53	1.8	414
AFW605T	1 1/2	48.3×8	38	17	79.38	110	36.52	100	18	25	42	65	M16×45	47.22× 3.53	2.8	414
AFW606T	2	60.3×10	51	21	96.82	134	44.46	150	18	29	60	92	M20×55	56.75× 3.53	4	414

Butt Weld Flange Coupling



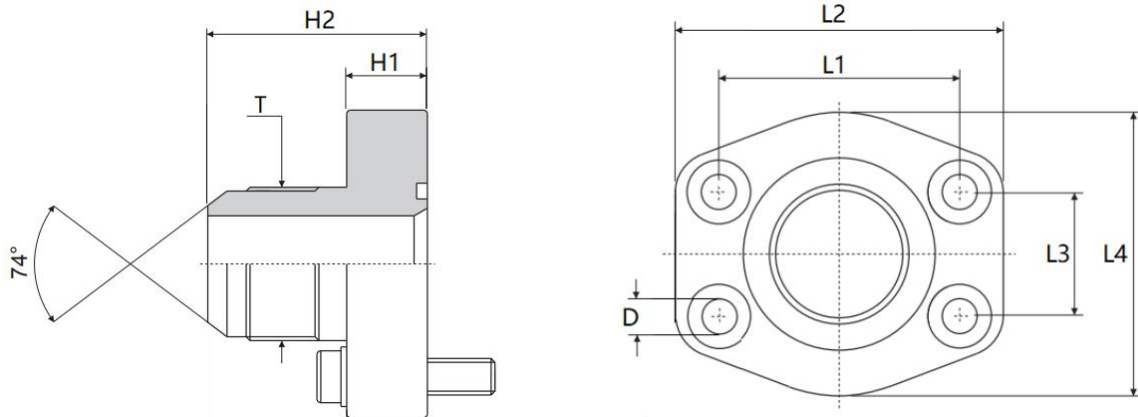
3000PSI

Type	Size Inch	Dimensions(mm)							Accessories		Weight Kg	Pressure Bar
		$da \times t$	L1	L2	L3	L4	H1	H2	Bolt	O-Ring		
AFS301T	1/2	16×2.5 20×3 21.6×4.3	38.1	54	17.5	46	16	36	M8×30	18.66×3.53	0.28	345
AFS302T	3/4	25×3 26.9×3.6 28×4.5	47.63	65	22.26	50	18	36	M10×35	25.00×3.53	0.39	345
AFS303T	1	30×4, 33.7×3.6 34×4.5 35×4	52.37	70	26.16	55	18	38	M10×35	32.92×3.53	0.46	345
AFS304T	1 1/4	38×4 42.4×3.6 42.8×5.5	58.72	79	30.18	68	21	41	M10×40	37.70×3.53	0.66	276
AFS305T	1 1/2	42.2×4 48.3×4 48.6×5.5	69.85	93	35.72	78	25	45	M12×45	47.22×3.53	1.05	207
AFS306T	2	60.3×4 61×5.5	77.77	102	42.88	90	25	45	M12×45	56.75×3.53	1.09	207
AFS307T	2 1/2	76.1×4 77×7.1	88.9	114	50.8	105	25	50	M12×45	69.45×3.53	1.4	172
AFS308T	3	76.1×4 76.1×7.1 89×4 92×9	106.4	135	61.92	124	27	50	M16×50	85.32×3.53	2.15	138
AFS309T	3 1/2	89×4 103×7	120.7	152	69.85	136	27	48	M16×50	98.02×3.53	2.4	34
AFS310T	4	114.3×4 115.5×8	130.2	162	77.76	146	27	48	M16×50	110.72×3.53	2.85	34

6000PSI

Type	Size Inch	Dimensions(mm)							Accessories		Weight Kg	Pressure Bar
		$da \times t$	L1	L2	L3	L4	H1	H2	Bolt	O-Ring		
AFS601T	1/2	16×2.5 20×3 21.6×4.3	40.49	54	18.24	46	16	36	M8×30	18.66×3.53	0.35	414
AFS602T	3/4	20×3 25×4 26.9×3.6 28×4.5	50.8	71	23.82	55	21	36	M10×35	25.00×3.53	0.65	414
AFS603T	1	25×4 30×5 33.7×7.1 34×4.5	57.17	81	27.78	65	25	42	M12×45	32.92×3.53	1.05	414
AFS604T	1 1/4	30×5 38×6 42.4×8.8 42.8×5.5	66.68	95	31.76	78	27	45	M14×50	37.70×3.53	1.53	414
AFS605T	1 1/2	48.3×8.8 48.6×5.5 30.3×10	79.38	112	36.52	94	30	50	M16×55	47.22×3.53	2.5	350
AFS606T	2	30.3×10 61×9 61×5.5 76.1×12.5	96.82	134	44.46	114	37	65	M20×70	56.75×.53	4.2	350

Flared Flange



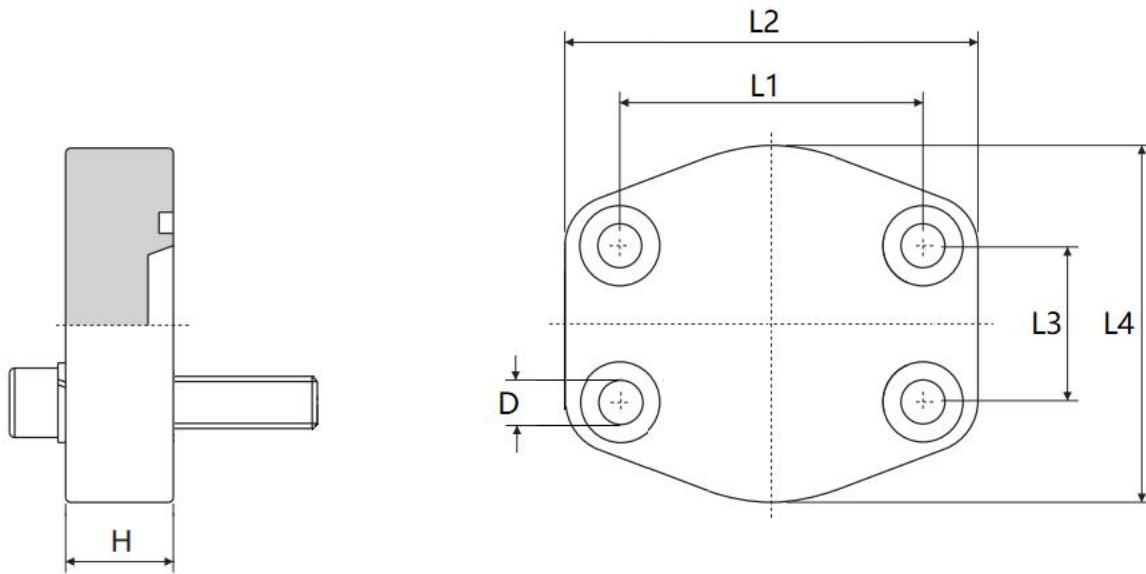
3000PSI

Type	Size Inch	Dimensions(mm)								Accessories		Weight Kg	Pressure Bar
		T	L1	L2	L3	L4	H1	H2	D	Bolt	O-Ring		
JFS301	1/2	3/4-16	38.1	54	17.5	46	16	36	9	M8×30	18.66×3.53	0.28	345
JFS302	3/4	1 1/16-12	47.63	65	22.26	50	18	36	11	M10×35	25.00×3.53	0.39	345
JFS303	1	1 5/16-12	52.37	70	26.16	55	18	38	11	M10×35	32.92×3.53	0.46	345
JFS304	1 1/4	1 5/8-12	58.72	79	30.18	68	21	41	11.5	M10×40	37.70×3.53	0.66	276
JFS305	1 1/2	1 7/8-12	69.85	93	35.72	78	25	45	13.5	M12×45	47.22×3.53	1.05	207
JFS306	2	2 1/2-12	77.77	102	42.88	90	25	45	13.5	M12×45	56.75×3.53	1.09	207

6000PSI

Type	Size Inch	Dimensions(mm)								Accessories		Weight Kg	Pressure Bar
		T	L1	L2	L3	L4	H1	H2	D	Bolt	O-Ring		
JFS601	1/2	3/4-16	40.49	54	18.24	46	16	36	9	M8×30	18.66×3.53	0.35	414
JFS602	3/4	1 1/16-12	50.8	71	23.82	55	21	36	11	M10×35	25.00×3.53	0.65	414
JFS603	1	1 5/16-12	57.17	81	27.78	65	25	42	13	M12×45	32.92×3.53	1.05	414
JFS604	1 1/4	1 5/8-12	66.68	95	31.76	78	27	45	15	M14×50	37.70×3.53	1.53	414
JFS605	1 1/2	1 7/8-12	79.38	112	36.52	94	30	50	17	M16×55	47.22×3.53	2.5	350
JFS606	2	2 1/2-12	96.82	134	44.46	114	37	65	21	M20×70	56.75×3.53	4.2	350

Closed Flange



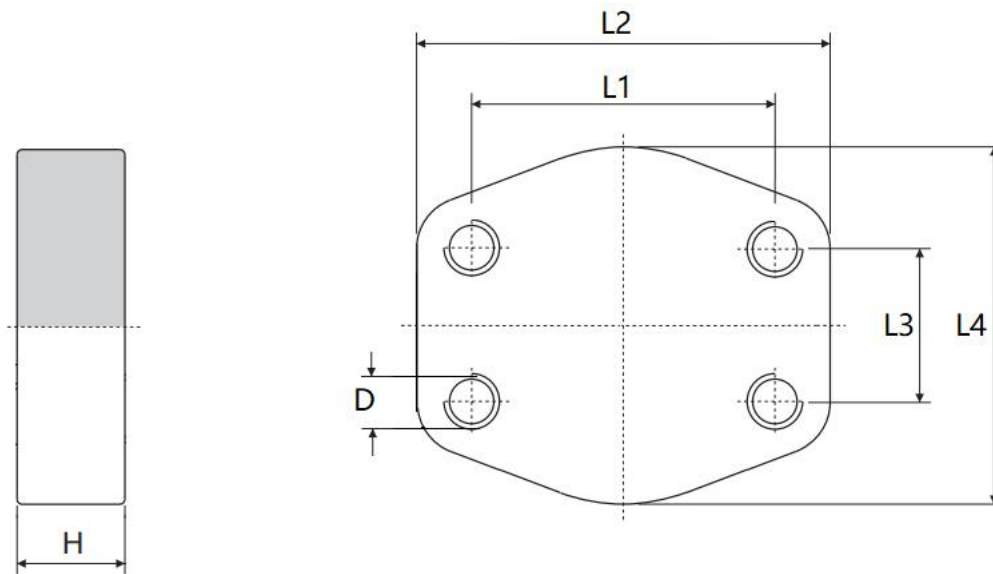
3000PSI

Type	Size Inch	Dimensions(mm)						Accessories		Weight Kg	Pressure Bar
		L1	L2	L3	L4	H	D	Bolt	O-Ring		
AFC301	1/2	38.1	54	17.5	46	16	9	M8×30	18.66×3.53	0.2	345
AFC302	3/4	47.63	65	22.3	50	16	11	M10×35	25.00×3.53	0.3	345
AFC303	1	52.37	70	26.2	55	19	11	M10×35	32.92×3.53	0.37	345
AFC304	1 1/4	58.72	79	30.2	68	19	11.5	M10×40	37.70×3.53	0.54	276
AFC305	1 1/2	69.85	93	35.7	78	20	13.5	M12×45	47.22×3.53	0.9	207
AFC306	2	77.77	102	42.9	90	20	13.5	M12×45	56.75×3.53	1	207
AFC307	2 1/2	88.9	114	50.8	105	20	13.5	M12×45	69.45×3.53	1.35	172
AFC308	3	106.38	134	61.9	124	24	17	M16×50	85.32×3.53	2.35	138

6000PSI

Type	Size Inch	Dimensions(mm)						Accessories		Weight Kg	Pressure Bar
		L1	L2	L3	L4	H	D	Bolt	O-Ring		
AFC601	1/2	40.49	54	18.2	46	16	9	M8×30	18.66×3.53	0.2	414
AFC602	3/4	50.8	71	23.8	55	19	11	M10×35	25.00×3.53	0.48	414
AFC603	1	57.15	81	27.8	65	24	13	M12×45	32.92×3.53	0.77	414
AFC604	1 1/4	66.68	95	31.8	78	27	15	M14×45	37.70×3.53	0.85	414
AFC605	1 1/2	79.38	112	36.5	94	30	17	M16×45	47.22×3.53	1.8	414
AFC606	2	96.82	134	44.5	114	28	21	M20×65	56.75×3.53	2	414

Closed Counter Flange



3000PSI

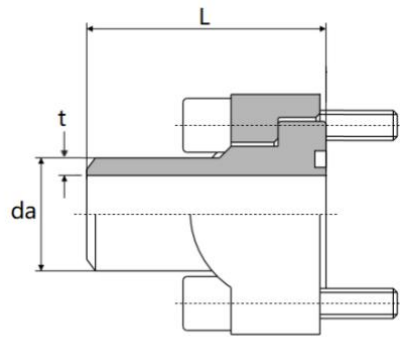
Type	Size Inch	Dimensions(mm)						Weight Kg	Pressure Bar
		L1	L2	L3	L4	H	M		
GFC301	1/2	38.1	54	17.5	46	16	M8	0.2	345
GFC302	3/4	47.63	65	22.3	50	16	M10	0.3	345
GFC303	1	52.37	70	26.2	55	19	M10	0.37	345
GFC304	1 1/4	58.72	79	30.2	68	19	M10	0.54	276
GFC305	1 1/2	69.85	93	35.7	78	20	M12	0.9	207
GFC306	2	77.77	102	42.9	90	20	M12	1	207
GFC307	2 1/2	88.9	114	50.8	105	20	M12	1.35	172
GFC308	3	106.38	134	61.9	124	24	M16	2.35	138

6000PSI

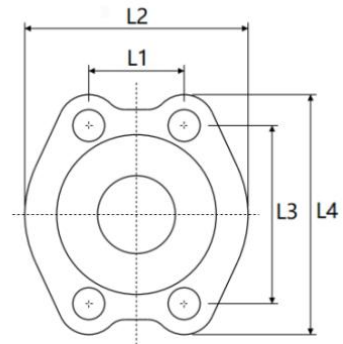
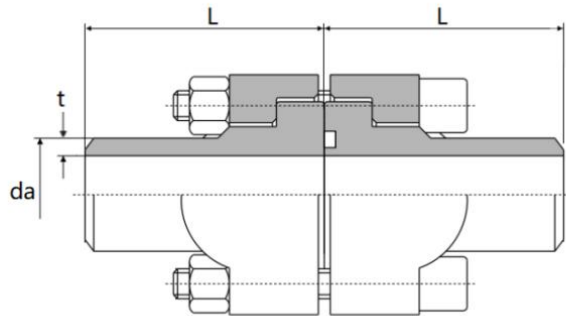
Type	Size Inch	Dimensions(mm)						Weight Kg	Pressure Bar
		L1	L2	L3	L4	H	M		
GFC601	1/2	40.49	54	18.2	46	16	M8	0.2	414
GFC602	3/4	50.8	71	23.8	55	19	M10	0.48	414
GFC603	1	57.15	81	27.8	65	24	M12	0.77	414
GFC604	1 1/4	66.68	95	31.8	78	27	M14	0.85	414
GFC605	1 1/2	79.38	112	36.5	94	30	M16	1.8	414
GFC606	2	96.82	134	44.5	114	28	M20	2	414

SAE Flange Weld Coupling

ASF



BSF

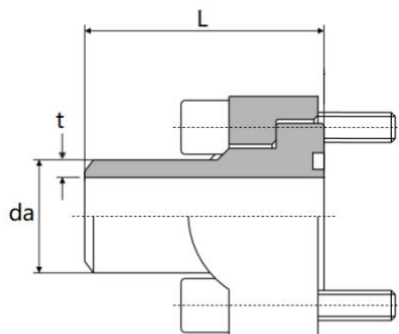


3000PSI

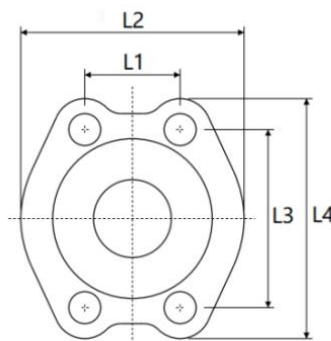
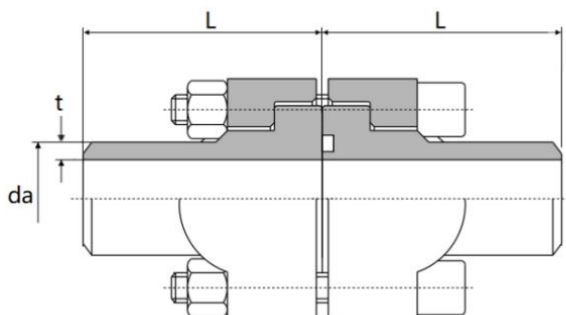
Type	Size Inch	Dimensions(mm)							accessories		Weight Kg	Pressure Bar
		da×t	L1	L2	L3	L4	L	D	Bolt	O-Ring		
ASF301 BSF301	1/2	16×3, 20×3, 22×3, 22×4.5	17.5	46	38	54	30	8.5	M8×25 M8×40	18.66×3.53	0.26 0.52	345
ASF302 BSF302	3/4	20×3, 22×3, 25×3, 28×4.5, 26.9×3.6, 30×5	22.3	51.8	48	65	35	10.5	M10×30 M10×45	25×3.53	0.44 0.85	345
ASF303 BSF303	1	25×3, 28×3, 30×4, 33.7×7.1, 35×5 38×5	26.2	58.4	52	70	40	10.5	M10×30 M10×50	32.92×3.53	0.56 1.1	345
ASF304 BSF304	1 1/4	30×4, 34×5, 38×4, 38×6, 42.4×4, 43×6	30.2	72.6	59	79	45	10.5	M10×30 M10×50	37.70×3.53	0.72 1.40	276
ASF305 BSF305	1 1/2	38×4, 42.4×4, 48.3×3.6, 48.3×5, 50×6	35.7	82.2	70	94	50	13.3	M12×35 M12×55	47.22×3.53	0.92 1.8	207
ASF306 BSF306	2	42.4×4, 48.3×6, 50×6, 57×3.5, 60.3×4, 60.3×5.6, 60.3×8, 62×7.5	42.9	96.4	78	102	60	13.3	M12×35 M12×55	56.75×3.53	1.3 2.5	207
ASF307 BSF307	2 1/2	76.1×4, 76.1×5.5, 76.1×7.1	50.8	108	89	114	70	13.3	M12×40 M12×55	69.45×3.53	1.8 3.5	172
ASF308 BSF308	3	76.1×4, 76.1×7.1, 89×4, 89×8, 90×10	61.9	131	106	135	70	17	M16×45 M16×70	85.32×3.53	2.6 5.1	138
ASF309 BSF309	3 1/2	76.1×4, 89×4, 101.6×7.1	69.8	139	121	152	80	17	M16×45 M16×70	98.02×3.53	3 5.8	34
ASF310 BSF310	4	89×5, 114.3×6, 114.3×8	77.8	152	130	162	80	17	M16×50 M16×75	110.72×3.5 3	3.5 6.7	34
ASF311 BSF311	5	133×4, 140×4, 140×10	92.1	180	152	184	80	17	M16×50 M16×80	136.12×3.5 3	4.5 8.6	34

SAE Flange Weld Coupling

ASF



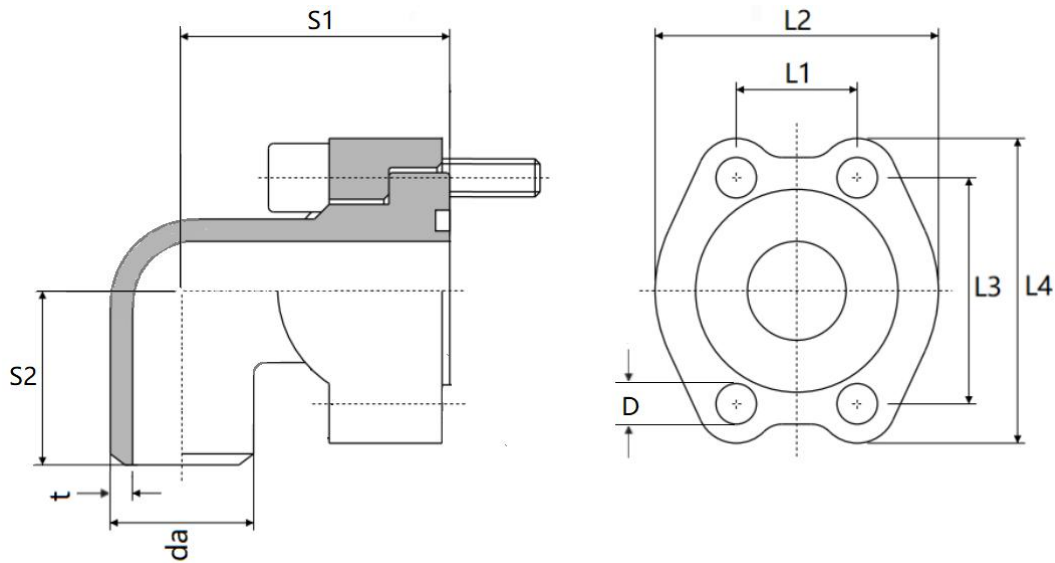
BSF



6000PSI

Type	Size Inch	Dimensions(mm)							accessories		Weight Kg	Pressure Bar
		da×t	L1	L2	L3	L4	L	D	Bolt	O-Ring		
ASF601 BSF601	1/2	16×3, 18×4, 20×3, 22×4.5	18.2	47.2	40	56	40	8.5	M8×30 M8×45	18.66×3.53	0.35 0.67	414
ASF602 BSF602	3/4	20×3, 22×4, 25×4, 26.9×5.6, 28×5, 35×6.5	23.8	60	51	71	45	10.5	M10×35 M10×55	25×3.53	0.68 1.30	414
ASF603 BSF603	1	25×4, 30×5, 33.7×7.1, 35×5, 38×5	27.8	69.6	57	81	50	12.6	M12×45 M12×65	32.92×3.53	1.06 2.00	414
ASF604 BSF604	1 1/4	30×5, 38×6, 42.4×6, 42.4×8, 44×7.5	31.8	77.2	67	95	55	14.6	M14×50 M14×75	37.70×3.53	1.58 3.0	414
ASF605 BSF605	1 1/2	38×6, 48.3×6, 48.3×8, 48.3×8.8, 50×6, 51×8	36.5	95	79	113	60	17	M16×55 M16×85	47.22×3.53	2.50 4.80	414
ASF606 BSF606	2	48.3×6, 57×6, 60.3×6.3, 60.3×8, 60.3×10, 61×9, 63×10, 65×11	44.5	114	97	133	70	21	M20×70 M20×100	56.75×3.53	4.30 8.20	414
ASF607 BSF607	2 1/2	76.1×12.5, 89×11, 89×14.2	58.8	150	124	180	80	25	M24×80 M24×130	75×5.33	8.50 16.5	414
ASF608 BSF608	3	89×14.2, 114.3×14.2, 108×12.5, 114.3×20, 114.3×17.5	71.6	198	152	215	10 0	31.5	M30×90 M30×150	88.60×5.7 98.60×5.7	16.80 32.80	414

SAE 90° Flange Welding Couplings



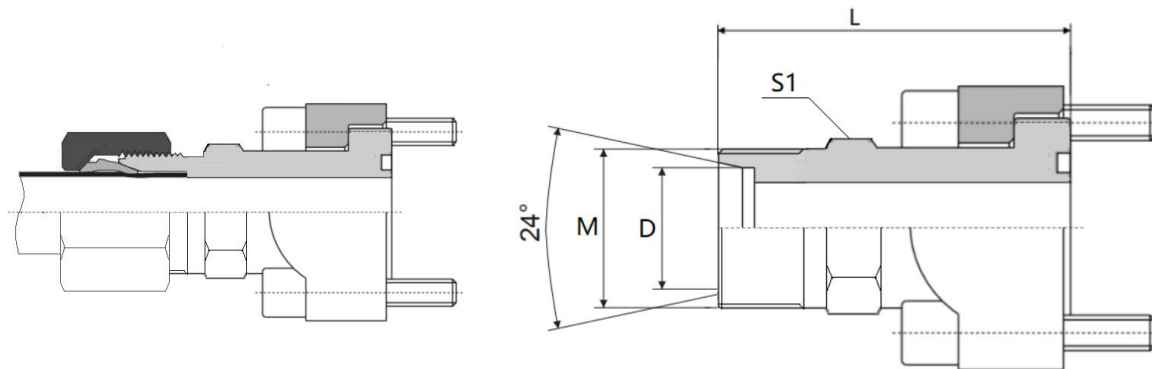
3000PSI

Type	Size Inch	Dimensions(mm)								accessories		Weight Kg	Pressure Bar
		da×t	L1	L2	L3	L4	S1	S2	D	Bolt	O-Ring		
AWF301	1/2	20×25 21.3×2.9 22×3	17.5	46	38	54	36	40	8.5	M8×25	18.66×3.53	0.4	345
AWF302	3/4	22×3 25×3 26.9×3.6	22.3	51.8	48	65	43	46	10.5	M10×30	25×3.53	0.6	345
AWF303	1	30×4 33.7×3.6 35×4	26.2	58.4	52	70	48	54	10.5	M10×30	32.92×3.52	0.8	345
AWF304	1 1/4	38×3 42.4×4	30.2	72.6	59	79	53	65	10.5	M10×35	37.70×3.53	1.2	250
AWF305	1 1/2	42.4×4 48.3×5	35.7	82.2	70	94	58	68	13.5	M12×35	47.22×3.53	1.6	200

6000PSI

Type	Size Inch	Dimensions(mm)								accessories		Weight Kg	Pressure Bar
		da×t	L1	L2	L3	L4	S1	S2	D	Bolt	O-Ring		
AWF601	1/2	16×3 20×3 22×3	18.2	47.2	40	56	39	40	8.5	M8×30	18.66×3.53	0.47	400
AWF602	3/4	25×4 26.9×5.6 28×5	23.8	60	51	71	48	50	10.5	M10×35	25×3.53	0.90	400
AWF603	1	30×5 33.7×7.1 35×5	27.8	69.6	57	81	60	60	12.6	M12×45	32.92×3.53	1.5	315
AWF604	1 1/4	38×6 42.4×6	31.8	77.2	67	95	68	66	14.6	M14×50	37.70×3.53	2.2	315
AWF605	1 1/2	38.6×6 48.3×8	36.5	95	79	113	76	75	17	M16×55	47.22×3.53	3.3	315

SAE Flange Adapter



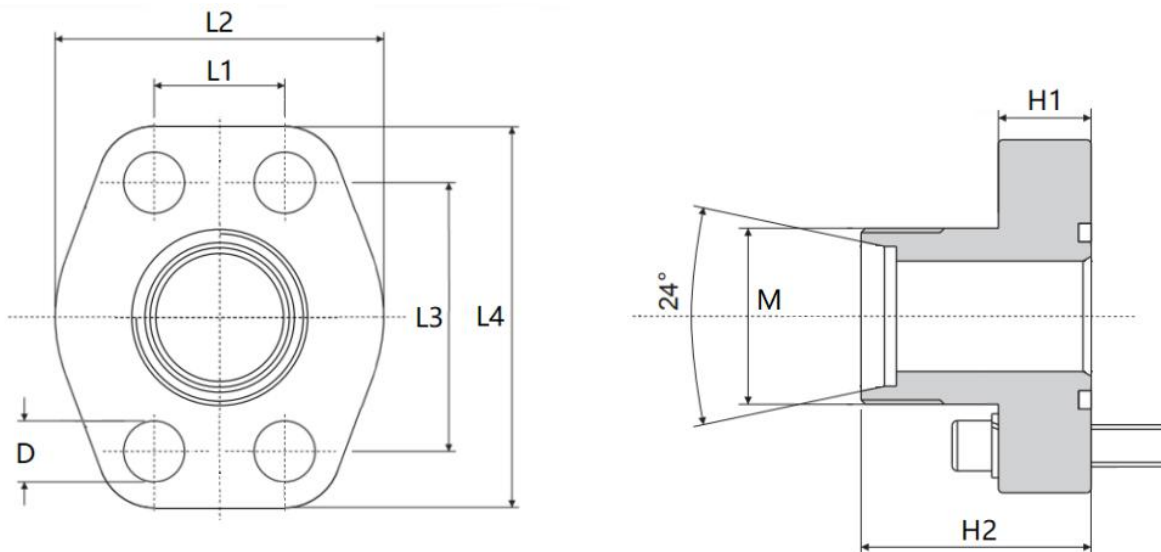
3000PSI

Flange Type	Inch	Jiont No.	Tube D	thread M	L1	S1	S2	Pressure (Bar)
FH301	1/2	GSF301-15L	15L	M22×1.5	48	24	27	315
		GSF301-16S	16S	M24×1.5	50		30	350
FH302	3/4	GSF302-18L	18L	M26×1.5	54	30	32	315
		GSF302-22L	22L	M30×2	54		36	160
		GSF302-20S	20S	M30×2	58		36	350
		GSF302-25S	25S	M36×2	58		46	350
FH303	1	GSF303-28L	28L	M36×2	55	36	41	160
		GSF303-25L	25S	M36×2	59		46	350
		GSF303-30L	30S	M42×2	64		50	350
FH304	1 1/4	GSF304-35L	35L	M45×2	59	41	50	160
		GSF304-25S	25S	M36×2	62		46	280
		GSF304-30S	30S	M42×2	62		50	280
		GSF304-38L	38S	M52×2	67		60	280
FH305	1 1/2	GSF305-42L	42L	M52×2	65	46	60	160
		GSF305-38S	38S		71			210

6000PSI

Flange Type	Inch	Jiont No.	Tube D1	thread M	L1	S2	S3	Pressure (Bar)
FH601	1/2	GSF601-16S	16S	M24×1.5	53.5	30	30	400
FH602	3/4	GSF602-16S	16S	M24×1.5	60	36	30	400
		GSF602-20S	20S	M30×2	61.5		36	
		GSF602-25S	25S	M36×2	63.5		46	
FH603	1	GSF603-25S	25S	M36×2	72	41	46	400
		GSF603-30S	30S	M42×2	74.5		50	
FH604	1 1/4	GSF604-30S	30S	M42×2	80	46	50	315
		GSF604-38S	38S	M52×2	83		60	
FH605	1 1/2	GSF605-38S	38S	M52×2	89.5	46	60	315

SAE Flange with 24° Cone End



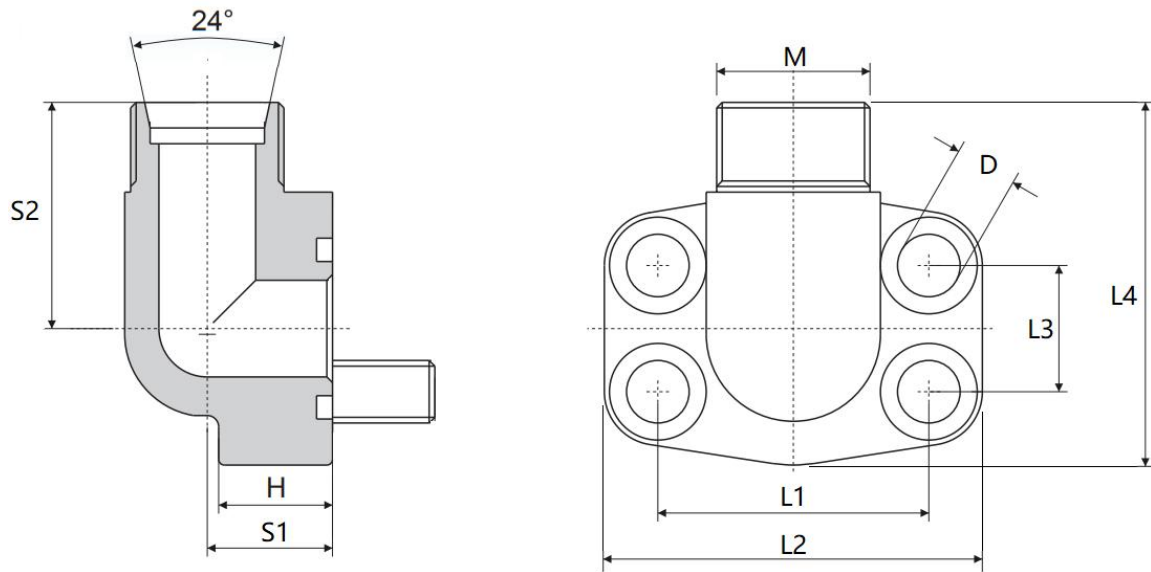
3000PSI

Type	Size Inch	Dimensions(mm)								Accessories		Weight Kg	Pressure Bar	
		Tube	L1	L2	L3	L4	H1	H2	D	M	Bolt			O-Ring
AFM301	1/2	15L	17.5	46	38	54	13	52	9	M22×1.5	M8×25	18.66×3.53	0.35	345
AFM302	3/4	22L	22.3	51.8	48	65	14	60	11	M30×2	M10×30	25×3.53	0.6	250
AFM303	1	28L	26.2	58.4	52	70	16	63	11	M36×2	M10×30	32.92×3.53	0.8	250
AFM304	1 1/4	35L	30.2	72.6	59	79	16	65	11.5	M45×2	M10×30	37.70×3.53	1	250
AFM305	1 1/2	42L	35.7	82.2	70	94	16	70	13.5	M52×2	M12×35	47.22×3.53	1.5	200

6000PSI

Type	Size Inch	Dimensions(mm)								Accessories		Weight Kg	Pressure Bar	
		Tube	L1	L2	L3	L4	16	H2	D	M	Bolt			O-Ring
AFM601	1/2	16S	18.2	18.2	40	54	19	60	9	M24×1.5	M8×30	18.66×3.53	1.40.	400
AFM602	3/4	20S	23.8	23.8	51	73	24	73	11	M30×2	M10×35	25×3.53	0.8	400
AFM603	1	25S	27.8	27.8	57	79	27	82	13	M36×2	M12×45	32.92×3.53	1	400
AFM604	1 1/4	30S	31.8	31.8	67	93	27	92	15	M42×2	M14×50	37.70×3.53	1.6	400
AFM605	1 1/2	38S	36.5	36.5	79	112	30	96	17	M52×2	M16×55	47.22×3.53	2	315

SAE Flange 90° with 24° Cone End



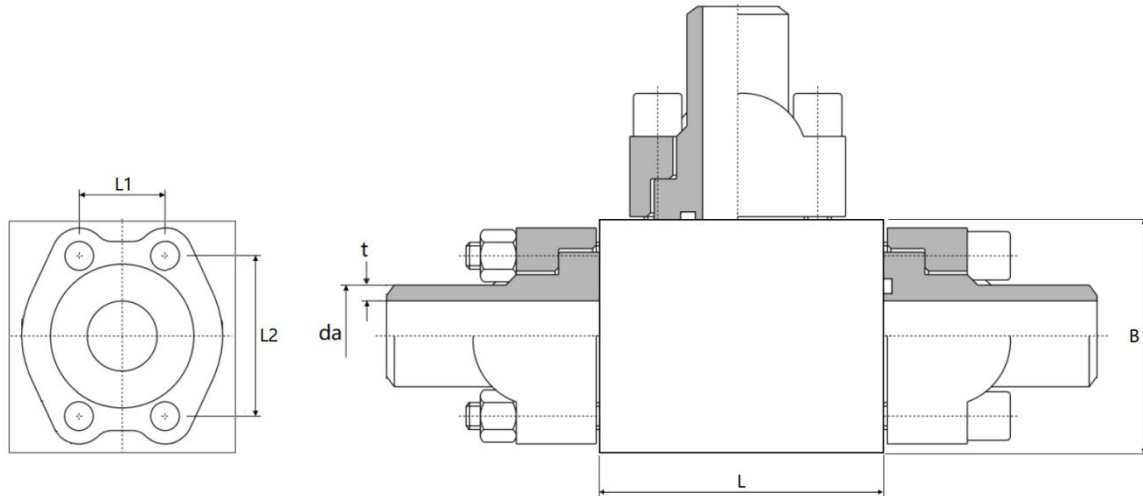
3000PSI

Type	Size Inch	Dimensions(mm)										Accessories		Weight Kg	Pressure Bar
		Tube	L1	L2	L3	L4	H	D	S1	S2	M	Bolt	O-Ring		
AFMW301	1/2	15L	38.1	54	17.5	6	16	9	20	37	M22×1.5	M8×25	18.66×3.53	0.4	345
AFMW302	3/4	22L	47.63	65	22.26	63	18	11	24	38	M30×2	M10×30	25×3.53	0.6	250
AFMW303	1	28L	52.37	70	26.16	70	19	11	28	43	M36×2	M10×30	32.92×3.53	0.8	250
AFMW304	1 1/4	35L	58.72	79	30.18	85	21	11.5	34	52	M45×2	M10×40	37.70×3.53	1.2	250
AFMW305	1 1/2	42L	69.85	94	35.72	96	26	13.5	38	55	M52×2	M12×45	47.22×3.53	1.65	200

6000PSI

Type	Size Inch	Dimensions(mm)										Accessories		Weight Kg	Pressure Bar
		Tube	L1	L2	L3	L4	H	D	S1	S2	M	Bolt	O-Ring		
AFMW601	1/2	16S	40.49	54	18.24	60	16	9	20	37	M24×1.5	M8×30	18.66×3.53	1.4	400
AFMW602	3/4	20S	50.8	73	23.8	70	19	11	28	43	M30×2	M10×35	25×3.53	0.8	400
AFMW603	1	25S	57.17	79	27.78	85	21	13	34	51	M36×2	M12×45	32.92×3.53	1	400
AFMW604	1 1/4	30S	66.68	93	31.76	95	25	15	38	56	M42×2	M14×50	37.70×3.53	1.6	400
AFMW605	1 1/2	38S	79.38	112	36.52	110	25	17	42	65	M52×2	M16×55	47.22×3.53	2	315

SAE Tee Flanges



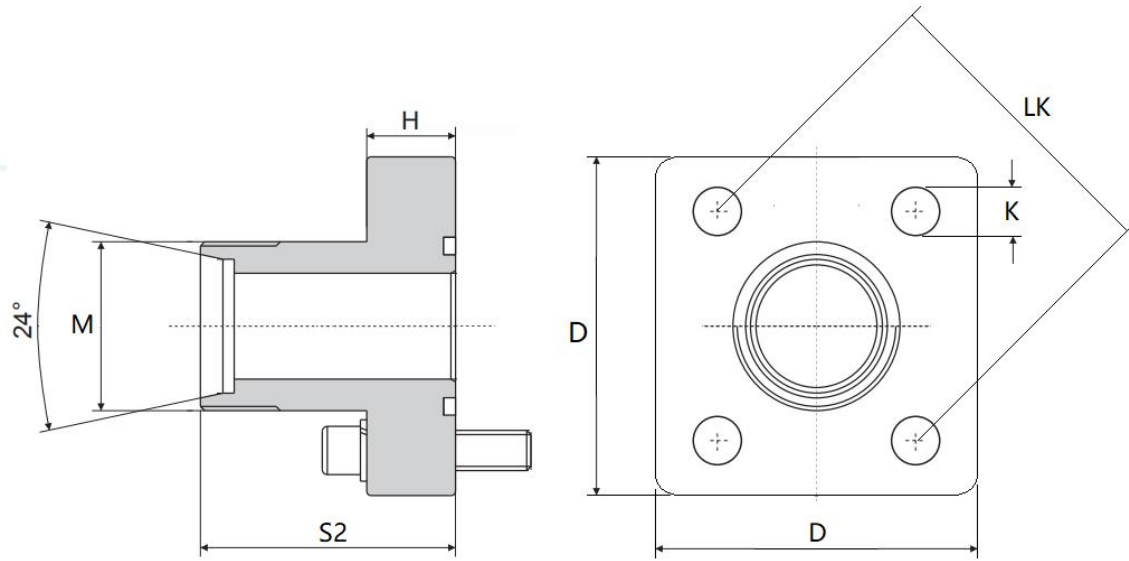
3000PSI

Type	Size Inch	Dimensions(mm)					Weight Kg	Pressure Bar
		Da x t	B	L1	L2	L		
SFV301	1/2	301	60	17.5	38.10	70	1.8	345
SFV302	3/4	302	70	22.26	47.63	80	2.60	346
SFV303	1	303	80	26.16	52.37	90	3.80	347
SFV304	1 1/4	304	90	30.18	58.72	100	5.30	276
SFV305	1 1/2	305	100	35.722	69.85	110	6.80	207
SFV306	2	306	110	42.886	77.77	120	8.3	207

6000PSI

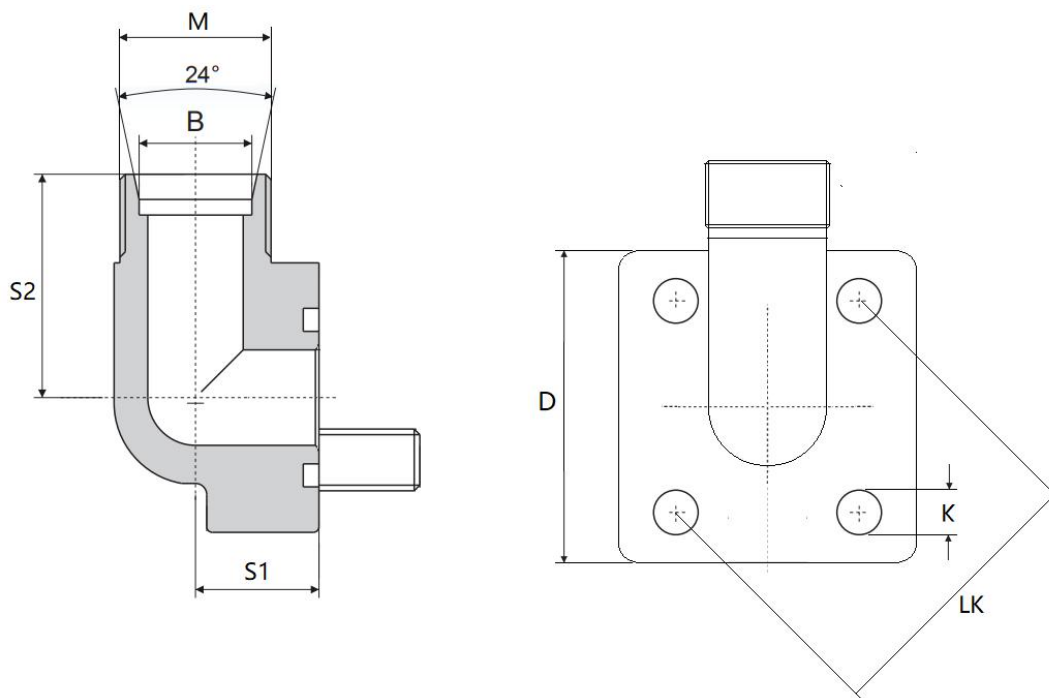
Type	Size Inch	Dimensions(mm)					Weight Kg	Pressure Bar
		da x t	B	L1	L2	L		
SFV601	1/2	601	60	18.24	40.49	70	1.8	414
SFV602	3/4	602	80	23.8	47.63	90	3.20	414
SFV603	1	603	90	27.78	57.17	100	5.50	414
SFV604	1 1/4	604	100	31.76	66.68	110	7.20	414
SFV605	1 1/2	605	120	36.52	79.38	120	11.5	414
SFV606	2	606	140	44.46	96.82	140	17.3	414

Pump Flange Connection



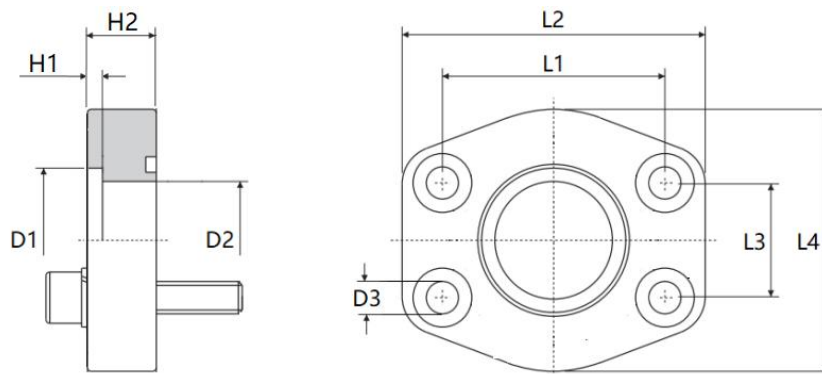
Joint no.	Tube specification	Dimensions(mm)						Accessories		Pressure Bar
		D	H	K	LK	S2	M	Bolt	O-Ring	
GF-35LK-10	L10	36	8	6.5	30	30	M16×1.5	4×M6×22	20×2.5	315
GF-35LK-12	L12	36	8	6.5	30	30	M18×1.5	4×M6×22	20×2.5	315
GF-35LK-10	L10	39	8	6.5	35	30	M16×1.5	4×M6×22	20×2.5	315
GF-35LK-12	L12	39	8	6.5	35	30	M18×1.5	4×M6×22	20×2.5	315
GF-40LK-15	L15	39	8	6.5	35	30	M22×1.5	4×M6×22	20×2.5	250
GF-40LK-18	L18	39	8	6.5	35	30	M26×1.5	4×M6×22	26×2.5	250
GF-40LK-15	L15	42	8	6.5	40	35	M22×1.5	4×M6×22	26×2.5	100
GF-40LK-18	L18	42	8	6.5	40	35	M26×1.5	4×M6×22	26×2.5	100
GF-40LK-22	L22	42	8	6.5	40	35	M30×2	4×M6×22	26×2.5	100
GF-35LK-28	L28	42	8	6.5	40	42	M36×2	4×M6×22	20×2.5	100
GF-35LK-16	S16	39	8	6.5	35	30	M24×1.5	4×M6×22	20×2.5	315
GF-40LK-20	S20	55	8	8.5	55	42	M30×2	4×M8×25	32×2.5	250

90° Pump Flange Connection

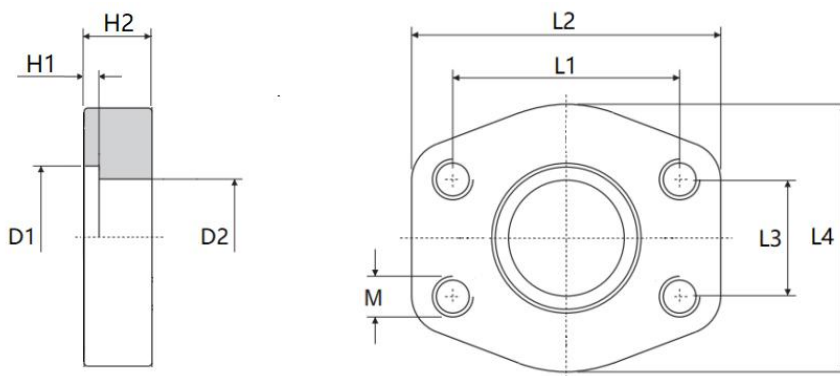


Joint no.	Tube specification	Dimensions(mm)						Accessories		Pressure Bar
		D	K	LK	S1	S2	M	Bolt	O-Ring	
WF-35LK-L10	L10	39	6.5	35	16.5	38	M16×1.5	M6×22 M6×35	20×2.5	315
WF-35LK-L12	L12	39	6.5	35	16.5	38	M18×1.5	M6×22 M6×35	20×2.5	315
WF-35LK-L15	L15	39	6.5	35	16.5	38	M22×1.5	M6×22 M6×35	20×2.5	315
WF-35LK-L18	L18	39	6.5	35	20.5	38	M26×1.5	M6×22 M6×35	20×2.5	315
WF-40LK-L15	L15	42	6.5	40	22.5	38	M22×1.5	M6×22 M6×35	26×2.5	250
WF-40LK-L18	L18	42	6.5	40	22.5	38	M26×1.5	M6×22	26×2.5	250
WF-40LK-L22	L22	42	6.5	40	22.5	38	M30×2	M6×22	26×2.5	100
WF-40LK-L28	L28	42	6.5	40	28	40	M36×2	M6×22 M6×50	26×2.5	100
WF-40LK-L35	L35	42	6.5	40	34	41	M45×2	M6×22 M6×60	26×2.5	100
WF-35LK-L16	L16	39	6.5	35	20	38	M24×1.5	M6×22 M6×40	20×2.5	100
WF-35LK-S20	S20	39	6.5	35	25	45	M30×2	M6×22 M6×45	20×2.5	315
WF-40LK-S20	S20	42	6.5	40	22.5	40	M30×2	M6×22 M6×45	26×2.5	250

Socket Weld Flange 500 PSI



Type	Size Inch	Dimensions(mm)										Accessories		Weight Kg
		Tube	D1	D2	D3	L1	L2	L3	L4	H1	H2	Bolt	O-Ring	
AFC301S	1/2	22×2	22.5	15	9	38.1	56	17.5	46	3	10	M8×25	18.66×3.53	0.12
AFC302S	3/4	28×2	28.5	20	11	47.6	65	22.3	50	4	12	M10×30	25.00×3.53	0.2
AFC303S	1	35×2	35.5	29	11	52.4	70	26.2	55	4	12	M10×30	32.92×3.53	0.25
AFC304S	1 1/4	42×2	42.5	34	11.5	58.7	79	30.2	68	4	12	M10×30	37.70×3.53	0.31
AFC305S	1 1/2	48.3×4	49	42	13.5	69.9	93	35.7	78	4	15	M12×35	47.22×3.53	0.5
AFC306S	2	60.3×4	61	53	13.5	77.8	102	42.9	90	4	15	M12×35	56.75×3.53	0.59
AFC307S	2 1/2	76.1×3.6	77	64	13.5	88.9	114	50.8	105	4	15	M12×35	69.45×3.53	0.72
AFC308S	3	88.9×4	90	80	17	106	134	61.9	124	5	20	M16×40	85.32×3.53	1.25
AFC309S	3 1/2	101.6×4.5	103	93	17	121	152	69.8	136	5	20	M16×40	98.02×3.53	1.5
AFC310S	4	114.3×4.5	115.5	105	17	130	162	77.8	146	6	25	M16×45	110.72×3.53	2.15
AFC311S	5	139.7×5	141	126	17	152	190	92.1	170	8	28	M16×45	136.12×3.53	3



Type	Size Inch	Dimensions(mm)										Weight Kg
		Rohr	D1	D2	L1	L2	L3	L4	H1	H2	M	
GFC301S	1/2	22×2	22.5	15	38.1	56	17.5	46	3	10	M8	0.12
GFC302S	3/4	28×2	28.5	20	47.63	65	22.26	50	4	12	M10	0.2
GFC303S	1	35×2	35.5	29	52.37	70	26.16	55	4	12	M10	0.25
GFC304S	1 1/4	42×2	42.5	34	58.72	79	30.18	68	4	12	M10	0.31
GFC305S	1 1/2	48.3×4	49	42	69.85	93	35.72	78	4	15	M12	0.5
GFC306S	2	60.3×4	61	53	77.77	102	42.88	90	4	15	M12	0.59
GFC307S	2 1/2	76.1×3.6	77	64	88.9	114	50.8	105	4	15	M12	0.72
GFC308S	3	88.9×4	90	80	106.38	134	61.92	124	5	20	M16	1.25
GFC309S	3 1/2	101.6×4.5	103	93	120.65	152	69.84	136	5	20	M16	1.5
GFC310S	4	114.3×4.5	115.5	105	130.18	162	77.76	146	6	25	M16	2.15
GFC311S	5	139.7×5	141	126	152.4	190	92.08	170	8	28	M16	3