



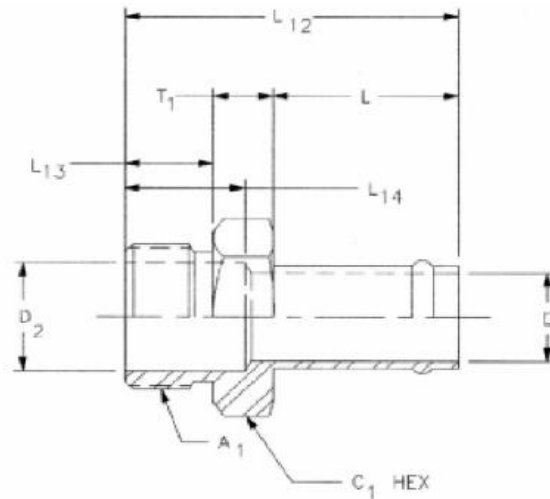
## TABLE OF CONTENTS

	Page
METRIC THREAD O-RING BOSS TO HOSE BEAD.....	2
MALE O-RING 45° TO HOSE BEAD.....	3
MALE PIPE 45° TO HOSE BEAD.....	4
MALE PIPE 90° TO HOSE BEAD.....	5
MALE PIPE TO HOSE BEAD.....	7
HOSE BEAD UNION TEE.....	9



**JIAYUAN**

## METRIC THREAD O-RING BOSS TO HOSE BEAD



ISO 6149-3

SAE J1231

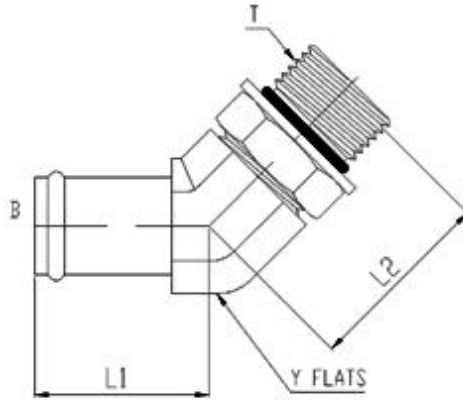
Dimension: mm

Part No.	Nominal Hose I.D. mm	Hose Dash Size	A	D2	D	L	L13	C1 HEX
M1231-4-10	6	-4	M10X1	4.5	4.8	38.1	8.5	14
M1231-6-14	10	-6	M14x1,5	7.5	7.5	38.1	11	19
M1231-8-16	12	-8	M16x1,5	9	10.3	38.1	11.5	22
M1231-8-18	12	-8	M18x1,5	11	10.3	38.1	12.5	24
M1231-10-18	16	-10	M18x1,5	11	12.7	38.1	12.5	24
M1231-10-22	16	-10	M22x1,5	14	12.7	38.1	13	27
M1231-12-22	20	-12	M22x1,5	14	15.9	38.1	13	27
M1231-16-27	25	-16	M27x2	18	21.4	38.1	16	32
M1231-16-30	25	-16	M30x2	21	21.4	38.1	16	36
M1231-16-33	25	-16	M33x2	23	21.4	38.1	16	41
M1231-20-33	30	-20	M33x2	23	27.8	38.1	16	41
M1231-20-42	30	-20	M42x2	30	27.8	38.1	16	50
M1231-24-42	38	-24	M42x2	30	34.1	38.1	16	50
M1231-24-48	38	-24	M48x2	36	34.1	38.1	17.5	55
M1231-32-60	50	-32	M60X2	44	46.8	38.1	17.5	65

Yuyao Jiayuan Hydraulic Fittings Factory  
[www.jiayuanfitting.com](http://www.jiayuanfitting.com)



## MALE O-RING 45° TO HOSE BEAD



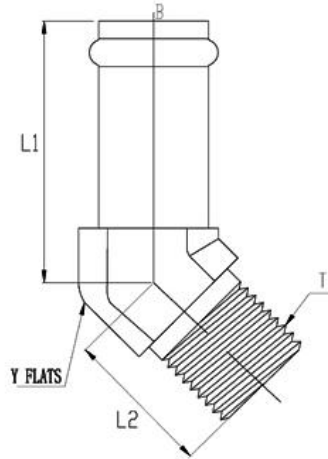
Dimension: inch

Part No.	B(O.D)	L1	T(UNF-2A)	L2	Y FLATS
4603-04-04-NWO	1/4	1.681	7/16-20	1.047	0.437
4603-04-06-NWO	1/4	1.681	9/16-18	1.146	0.562
4603-06-06-NWO	3/8	1.681	9/16-18	1.146	0.562
4603-08-06-NWO	1/2	1.681	9/16-18	1.146	0.562
4603-08-08-NWO	1/2	1.823	3/4-16	1.300	0.750
4603-08-10-NWO	1/2	1.681	7/8-14	1.146	0.563
4603-10-08-NWO	5/8	1.846	3/4-16	1.358	0.875
4603-10-10-NWO	5/8	1.846	7/8-14	1.516	0.870
4603-10-12-NWO	5/8	1.894	1 1/16-12	1.724	1.063
4603-12-08-NWO	3/4	1.846	3/4-16	1.358	0.874
4603-12-10-NWO	3/4	1.846	7/8-14	1.515	0.875
4603-12-12-NWO	3/4	1.894	1 1/16-12	1.724	1.063
4603-16-12-NWO	1	1.854	1 1/16-12	1.724	1.310
4603-16-14-NWO	1	1.850	1 3/16-12	1.83	1.250
4603-16-16-NWO	1	1.956	1 5/16-12	1.854	1.310
4603-20-16-NWO	1 1/4	2.059	1 5/16-12	1.838	1.626
4603-20-20-NWO	1 1/4	2.059	1 5/8-12	1.894	1.626
4603-24-16-NWO	1 1/2	1.791	1 5/16-12	1.893	1.874
4603-24-20-NWO	1 1/2	1.791	1 5/8-12	1.894	1.874
4603-24-24-NWO	1 1/2	1.791	1 7/8-12	1.909	1.874
4603-32-32-NWO	2	2.180	2 1/2-12	1.859	2.625

Yuyao Jiayuan Hydraulic Fittings Factory  
[www.jiayuanfitting.com](http://www.jiayuanfitting.com)



## MALE PIPE 45° TO HOSE BEAD

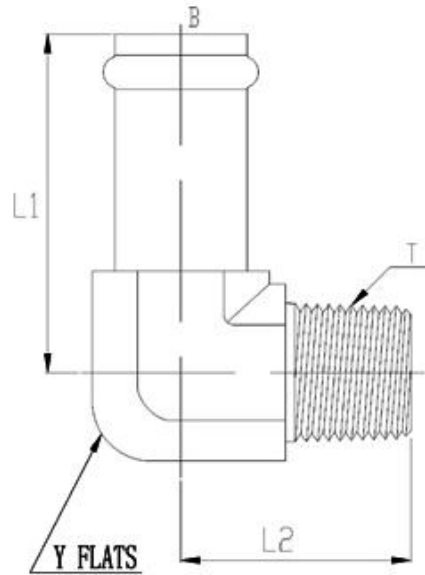


Dimension: inch

Part No.	B(O.D)	L1	T(NPTF)	L2	Y FLATS
4503-4-2	1/4	1.681	1/8-27	0.642	0.437
4503-4-4	1/4	0.830	1/4-18	1.810	0.625
4503-5-2	5/16	0.640	1/8-27	1.650	0.500
4503-6-4	3/8	0.859	1/4-18	1.625	0.625
4503-6-6	3/8	0.950	3/8-18	1.710	0.812
4503-8-4	1/2	0.830	1/4-18	1.710	0.625
4503-8-6	1/2	0.953	3/8-18	1.687	0.812
4503-8-8	1/2	1.180	1/2-14	1.740	0.937
4503-10-6	5/8	0.981	3/8-18	1.718	0.937
4503-10-8	5/8	1.171	1/2-14	1.718	0.937
4503-10-12	5/8	1.220	3/4-14	1.830	1.12
4503-12-8	3/4	1.846	1/2-14	1.169	0.874
4503-12-12	3/4	1.728	3/4-14	1.201	1.063
4503-16-12	1	1.484	3/4-14	1.750	1.125
4503-16-16	1	1.854	1-11 1/2	1.480	1.311
4503-16-20	1	1.620	1 1/4-11 1/2	2.07	1.750
4503-20-16	1 1/4	1.570	1-11 1/2	1.74	1.375
4503-20-20	1 1/4	2.059	1 1/4-11 1/2	1.669	1.626
4503-24-20	1 1/2	1.620	1 1/4-11 1/2	1.93	1.750
4503-24-24	1 1/2	1.791	1 1/2-11 1/2	1.770	1.875
4503-32-32	2	2.109	2-11 1/2	2.000	2.500



## MALE PIPE 90° TO HOSE BEAD



Dimension: inch

Part No.	B(O.D)	L1	T(NPTF)	L2	Y FLATS
4501-4-2	1/4	1.750	1/8-27	0.781	0.500
4501-4-4	1/4	1.870	1/4-18	1.094	0.563
4501-5-2	5/16	1.750	1/8-27	0.780	0.500
4501-6-4	3/8	2.093	1/4-18	1.091	0.625
4501-6-6	3/8	2.039	3/8-18	1.220	0.750
4501-6-8	3/8	1.970	1/2-14	1.460	0.937
4501-8-4	1/2	1.810	1/4-18	1.100	0.625
4501-8-6	1/2	2.039	3/8-18	1.220	0.748
4501-8-8	1/2	2.039	1/2-14	1.469	0.874
4501-8-12	1/2	2.232	3/4-14	1.594	1.063
4501-10-6	5/8	1.968	3/8-18	1.278	0.937
4501-10-8	5/8	2.055	1/2-14	1.470	0.875
4501-10-12	5/8	2.060	3/4-14	1.600	1.125
4501-12-6	3/4	1.900	3/8-18	1.220	0.812
4501-12-8	3/4	1.470	1/2-14	1.970	0.937
4501-12-12	3/4	2.232	3/4-14	1.594	1.063
4501-12-16	3/4	2.382	1-11 1/2	1.969	1.311
4501-16-08	1	2.053	1/2-14	1.561	1.125
4501-16-12	1	2.078	3/4-14	1.594	1.062
4501-16-16	1	2.05	1-11 1/2	1.969	1.311
4501-16-20	1	2.52	1 1/4-11 1/2	2.380	1.750

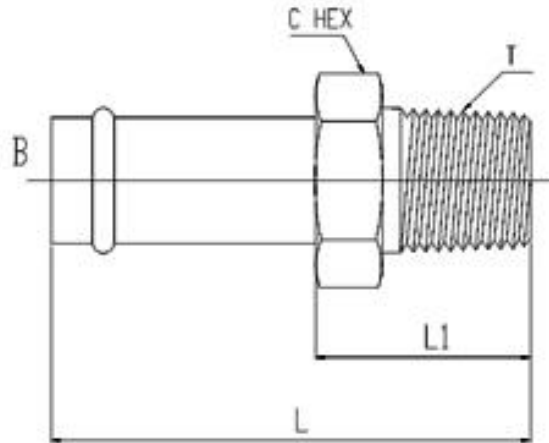


4501-16-24	1	1.2	1 1/2-11 1/2	2.640	2.000
4501-20-16	1 1/4	2.567	1-11 1/2	2.374	1.375
4501-20-20	1 1/4	2.567	1 1/4-11 1/2	2.374	1.626
4501-20-24	1 1/4	2.5	1 1/2-11 1/2	2.640	2.000
4501-24-16	1 1/2	2.38	1-11 1/2	2.160	1.750
4501-24-20	1 1/2	2.578	1 1/4-11 1/2	2.610	1.875
4501-24-24	1 1/2	2.578	1 1/2-11 1/2	2.640	1.875
4501-32-32	2	2.812	2-11 1/2	3.000	2.625

Yuyao Jiayuan Hydraulic Fittings Factory  
[www.jiayuanfitting.com](http://www.jiayuanfitting.com)



## MALE PIPE TO HOSE BEAD



Dimension: inch

Part No.	B	T(NPTF)	L	L1	C HEX
4404-04-02	1/4	1/8-27	2.130	0.602	0.437
4404-04-04	1/4	1/4-18	2.311	0.811	0.562
4404-05-02	5/16	1/8-27	2.106	0.580	0.438
4404-06-04	3/8	1/4-18	2.350	0.811	0.625
4404-06-06	3/8	3/8-18	2.311	0.811	0.750
4404-08-04	1/2	1/4-18	2.370	0.880	0.625
4404-08-06	1/2	3/8-18	2.370	0.811	0.750
4404-08-08	1/2	1/2-14	2.563	1.063	0.937
4404-08-12	1/2	3/4-14	2.680	1.170	1.125
4404-10-06	5/8	3/8-18	2.375	0.897	0.875
4404-10-08	5/8	1/2-14	2.755	1.078	0.937
4404-10-12	5/8	3/4-14	2.660	1.160	1.125
4404-12-06	3/4	3/8-18	2.410	0.920	1.000
4404-12-08	3/4	1/2-14	2.570	1.170	0.937
4404-12-12	3/4	3/4-14	2.803	1.134	1.125
4404-12-16	3/4	1-11 1/2	2.862	1.353	1.375
4404-16-12	1	3/4-14	2.625	1.134	1.250
4404-16-16	1	1-11 1/2	2.862	1.244	1.375
4404-20-12	1 1/4	3/4-14	2.600	1.120	1.375
4404-20-16	1 1/4	1-11 1/2	2.933	1.310	1.375
4404-20-20	1 1/4	1 1/4-11 1/2	2.909	1.409	1.750



**JIAYUAN**

4404-20-24	1 1/4	1 1/2-1 1/2	1.500	1.584	2.000
4404-24-20	1 1/2	1 1/4-1 1/2	2.950	1.468	1.750
4404-24-24	1 1/2	1 1/2-1 1/2	3.000	1.500	2.000
4404-32-32	2	2-1 1/2	2.937	1.437	2.500

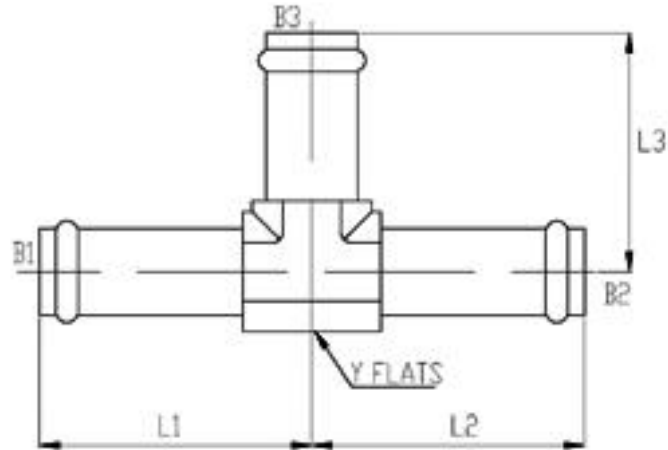
Yuyao Jiayuan Hydraulic Fittings Factory  
[www.jiayuanfitting.com](http://www.jiayuanfitting.com)





**JIAYUAN**

## HOSE BEAD UNION TEE



Dimension: inch

Parts No.	L1	B1(O.D)	L2	B2(O.D)	L3	B3(O.D)	Y FLATS
4504-04-04-04	1.750	1/4	1.750	1/4	1.750	1/4	0.500
4504-06-06-06	1.750	3/8	1.750	3/8	1.750	3/8	0.500
4504-08-08-08	1.750	1/2	1.750	1/2	1.750	1/2	0.812

Yuyao Jiayuan Hydraulic Fittings Factory  
[www.jiayuanfitting.com](http://www.jiayuanfitting.com)