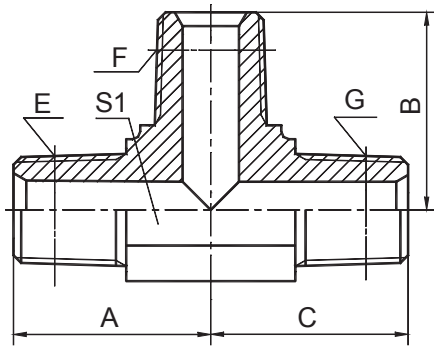


过渡接头 ADAPTER



AT-SP

英锥管外螺纹
BSPT MALE

代号 PART NO.	螺纹 THREAD			尺寸 DIMENSIONS					
	E	F	G			A	B	C	S1
AT-02SP	R1/8"X28	R1/8"X28	R1/8"X28			21	21	21	11
AT-04SP	R1/4"X19	R1/4"X19	R1/4"X19			25.5	25.5	25.5	14
AT-06SP	R3/8"X19	R3/8"X19	R3/8"X19			28.5	28.5	28.5	16
AT-08SP	R1/2"X14	R1/2"X14	R1/2"X14			36	36	36	22
AT-12SP	R3/4"X14	R3/4"X14	R3/4"X14			43.5	43.5	43.5	27
AT-16SP	R1"X11	R1"X11	R1"X11			50	50	50	33
AT-20SP	R1.1/4"X11	R1.1/4"X11	R1.1/4"X11			57.5	57.5	57.5	41
AT-24SP	R1.1/2"X11	R1.1/2"X11	R1.1/2"X11			62.5	62.5	62.5	48
AT-32SP	R2"X11	R2"X11	R2"X11			75	75	75	63