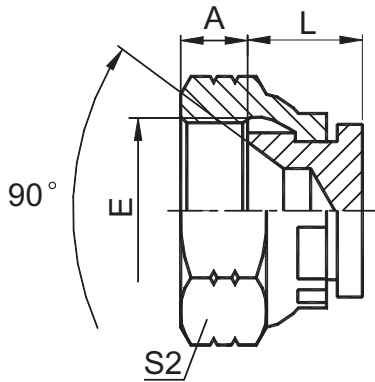


# 过渡接头 ADAPTER



## 9P

美制 SAE 内螺纹 90° 内锥堵头  
 SAE FEMALE 90° SEATPLUG

代号 PART NO.	螺纹 THREAD			尺寸 DIMENSIONS				
	E			A	L	S2		
9P-04	7/16"X20			9	10	17		
9P-05	1/2"X20			9	11	17		
9P-06	5/8"X18			11.3	12.5	22		
9P-08	3/4"X16			10.3	13	24		
9P-10	7/8"X14			12	14	27		
9P-12	1.1/16"X14			14.3	15.5	32		