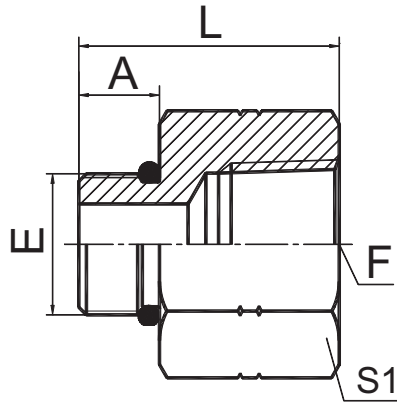


# 过渡接头 ADAPTER



## 5ON

美制 SAE 外螺纹带 O 形圈  
 轻系列 ISO 11926-3 / 布锥管内螺纹  
 SAE O-RING BOSS L-SERIES  
 ISO 11926-3 / NPT FEMALE

代号 PART NO.	螺纹 THREAD		O 形圈 O-RING		尺寸 DIMENSIONS				
	E	F	E 端		A	L	S1		
5ON-02	5/16"X24	Z1/8"X27	O902		7.54	24.5	17		
5ON-02-04	5/16"X24	Z1/4"x18	O902		7.54	29	19		
5ON-03-02	3/8"X24	Z1/8"X27	O903		7.54	24.5	17		
5ON-03-04	3/8"X24	Z1/4"x18	O903		7.54	29	19		
5ON-04-02	7/16"X20	Z1/8"X27	O904		9.1	24.5	17		
5ON-04	7/16"X20	Z1/4"x18	O904		9.1	30.5	19		
5ON-04-06	7/16"X20	Z3/8"x18	O904		9.1	30.7	24		
5ON-05-02	1/2"X20	Z1/8"X27	O905		9.1	26	17		
5ON-06-04	9/16"X18	Z1/4"x18	O906		9.9	31.5	19		
5ON-08-04	3/4"X16	Z1/4"x18	O908		11.1	32.5	22		
5ON-08-06	3/4"X16	Z3/8"x18	O908		11.1	34	22		
5ON-08	3/4"X16	Z1/2"X14	O908		11.1	40	30		
5ON-08-12	3/4"X16	Z3/4"x14	O908		11.1	40.1	36		
5ON-10-08	7/8"X14	Z1/2"x14	O910		12.7	41.5	30		
5ON-10-06	7/8"X14	Z3/8"x18	O910		12.7	35.5	27		
5ON-10-12	7/8"X14	Z3/4"x14	O910		12.7	41	36		
5ON-12-08	1.1/16"X12	Z1/2"x14	O912		15.1	42	32		
5ON-12	1.1/16"X12	Z3/4"x14	O912		15.1	45.5	36		
5ON-12-16	1.1/16"X12	Z1"X11.5	O912		15.1	50.5	41		
5ON-16-12	1.5/16"X12	Z3/4"x14	O916		15.1	43	38		
5ON-16	1.5/16"X12	Z1"X11.5	O916		15.1	51.5	41		
5ON-20-16	1.5/8"X12	Z1"X11.5	O920		15.1	40	50		
5ON-20	1.5/8"X12	Z1.1/4"X11.5	O920		15.1	53.5	50		
5ON-24-16	1.7/8"X12	Z1"X11.5	O924		15.1	34	55		
5ON-24-20	1.7/8"X12	Z1.1/4"X11.5	O924		15.1	48	55		
5ON-24	1.7/8"X12	Z1.1/2"X11.5	O924		15.1	53.5	60		
5ON-32	2.1/2"X12	2"X11.5	O932		15.1	50	70		