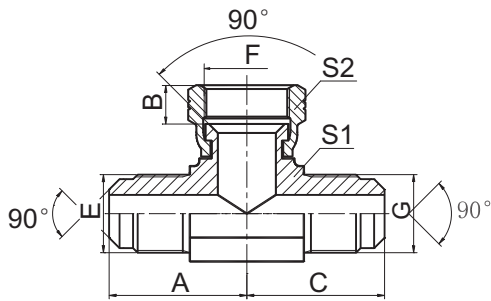


# 过渡接头 ADAPTER



**BP**

SAE 外螺纹 / SAE 内螺纹 / SAE 外螺纹  
 SAE MALE / SAE FEMALE / SAE MALE

代号 PART NO.	螺纹 THREAD			尺寸 DIMENSIONS				
	E	F	G	A	B	C	S1	S2
BP-04	7/16"X20	7/16"X20	7/16"X20	22.5	9	22.5	11	17
BP-06	5/8"X18	5/8"X18	5/8"X18	30	11.3	30	16	22
BP-08	3/4"X16	3/4"X16	3/4"X16	35	10.5	35	19	24
BP-12	1.1/16"X14	1.1/16"X14	1.1/16"X14	46.5	14.3	46.5	27	32