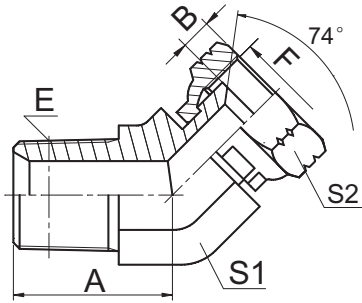


# 过渡接头 ADAPTER



## 2NJ4

45° 美制 NPT 外螺纹 /JIC 内螺纹 74° 内锥  
45° NPT MALE/JIC FEMALE 74° SEAT

| 代号<br>PART NO. | 螺纹 THREAD    |            | 尺寸 DIMENSIONS |  |      |      |    |    |  |
|----------------|--------------|------------|---------------|--|------|------|----|----|--|
|                | E            | F          |               |  | A    | B    | S1 | S2 |  |
| 2NJ4-04        | Z1/4"X18     | 7/16"X20   |               |  | 21   | 9    | 14 | 17 |  |
| 2NJ4-06        | Z3/8"X18     | 9/16"X18   |               |  | 24   | 10.5 | 19 | 19 |  |
| 2NJ4-08        | Z1/2"X14     | 3/4"X16    |               |  | 29.5 | 10.5 | 22 | 24 |  |
| 2NJ4-12        | Z3/4"X14     | 1.1/16"X12 |               |  | 35   | 15   | 27 | 32 |  |
| 2NJ4-16        | Z1"X11.5     | 1.5/16"X12 |               |  | 39   | 16   | 33 | 41 |  |
| 2NJ4-20        | Z1.1/4"X11.5 | 1.5/8"X12  |               |  | 42.5 | 17   | 41 | 50 |  |
| 2NJ4-24        | Z1.1/2"X11.5 | 1.7/8"X12  |               |  | 45   | 20   | 48 | 55 |  |