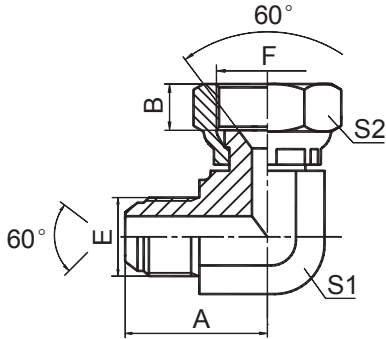


过渡接头 ADAPTER



2S9

90° 日式英管外螺纹 / 日式英管内螺纹
 90° JIS GAS MALE/JIS GAS FEMALE

代号 PART NO.	螺纹 THREAD		尺寸 DIMENSIONS					
	E	F	A	B	S1	S2		
2S9-02	G1/8"X28	G1/8"X28	21.8	6.5	11	14		
2S9-04	G1/4"X19	G1/4"X19	28.5	8	14	19		
2S9-04-06	G1/4"X19	G3/8"X19	28.5	9	14	22		
2S9-06	G3/8"X19	G3/8"X19	31.5	9	16	22		
2S9-06-04	G3/8"X19	G1/4"X19	31.5	8	16	19		
2S9-06-08	G3/8"X19	G1/2"X14	31.5	12	16	27		
2S9-08	G1/2"X14	G1/2"X14	38	12	22	27		
2S9-08-06	G1/2"X14	G3/8"X19	38	9	22	22		
2S9-12	G3/4"X14	G3/4"X14	43	13.5	27	32		
2S9-16	G1"X11	G1"X11	48.5	16	33	41		
2S9-20	G1.1/4"X11	G1.1/4"X11	57	18.5	41	50		
2S9-24	G1.1/2"X11	G1.1/2"X11	61	19	48	55		