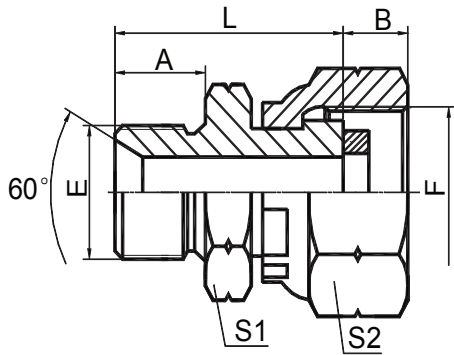


# 过渡接头 ADAPTER



## 2B-G

英管螺纹60°内锥 / 英管内螺纹表接头  
 BSP MALE 60° SEAT / BSP FEMALE PRESSURE  
 GAUGE CONNECTORS

代号 PART NO.	螺纹 THREAD		紫铜片 COPPER WASHER		尺寸 DIMENSIONS				
	E	F		F端	A	B	L	S1	S2
2B-02-04G	G1/8"X28	G1/4"X19		DP-B04G	10	14.5	24.5	14	19
2B-04G	G1/4"X19	G1/4"X19		DP-B04G	12	14.5	26.5	19	19
2B-04-08G	G1/4"X19	G1/2"X14		DP-B08G	12	20	29	19	27
2B-06-04G	G3/8"X19	G1/4"X19		DP-B04G	13.5	14.5	30	22	19
2B-08-04G	G1/2"X14	G1/4"X19		DP-B04G	16	14.5	34.5	27	19
2B-08G	G1/2"X14	G1/2"X14		DP-B08G	16	20	37	27	27

注：紫铜片见Q24页。Note: The copper washer see page Q24.