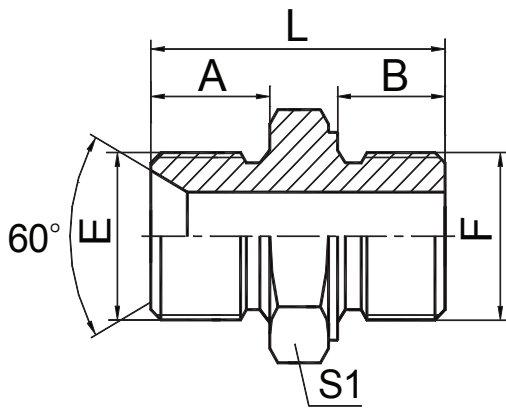


过渡接头 ADAPTER



1BL

英管外螺纹60°内锥或六角端面用组合垫密封 /
公制外螺纹组合垫圈

BSP MALE DOUBLE USE FOR 60° CONE SEAT OR
BONDED SEAL / METRIC MALE WITH BONDED SEAL

代号 PART NO.	螺纹 THREAD		密形圈 SEAL		尺寸 DIMENSIONS				
	E	F		F端	A	B	L	S1	
1BL-02-10	G1/8"X28	M10x1		ZHD-10	10	8	25	17	
1BL-04-10	G1/4"X19	M10x1		ZHD-10	12	8	27	19	
1BL-04-14	G1/4"X19	M14x1.5		ZHD-14	12	12	31	19	
1BL-06-14	G3/8"X19	M14x1.5		ZHD-14	13.5	12	35	22	
1BL-06-16	G3/8"X19	M16x1.5		ZHD-16	13.5	12	34	22	
1BL-06-18	G3/8"X19	M18x1.5		ZHD-18	13.5	12	33.5	24	
1BL-08-16	G1/2"X14	M16x1.5		ZHD-16	16	12	38	27	
1BL-08-18	G1/2"X14	M18x1.5		ZHD-18	16	12	38	27	
1BL-08-22	G1/2"X14	M22x1.5		ZHD-22	16	14	41.5	30	
1BL-10-33	G5/8"X14	M33x2		ZHD-33	17.5	18	48.5	41	
1BL-12-16	G3/4"X14	M16X1.5		ZHD-16	18.5	12	41.5	32	
1BL-12-22	G3/4"X14	M22x1.5		ZHD-22	18.5	14	43.5	30	
1BL-12-27	G3/4"X14	M27x2		ZHD-27	18.5	16	45.5	36	
1BL-12-33	G3/4"X14	M33x2		ZHD-33	18.5	18	49.5	41	
1BL-16-27	G1"X11	M27x2		ZHD-27	20.5	16	51.5	41	
1BL-16-33	G1"X11	M33x2		ZHD-33	20.5	18	53.5	41	
1BL-20-42	G1.1/4"X11	M42x2		ZHD-42	20.5	20	56.5	50	