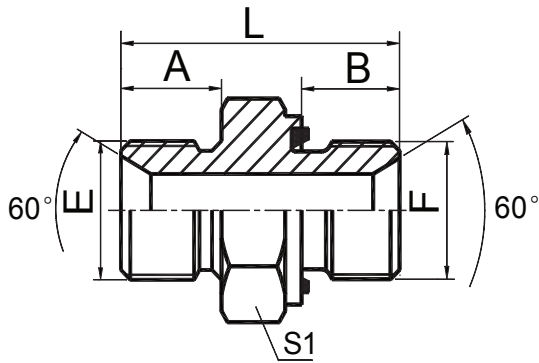


# 过渡接头 ADAPTER



## 1BM-WD

英管外螺纹/公制外螺纹胶垫密封  
 BSPP MALE/METRIC MALE CAPTIVE SEAL

代号 PART NO.	螺纹 THREAD		胶垫 CAPTIVE	F端	尺寸 DIMENSIONS				
	E	F			A	B	L	S1	
1BM-04-12WD	G1/4"X19	M12X1.5		WD-M12	12	12	32	19	
1BM-06-14WD	G3/8"X19	M14X1.5		WD-B04	13.5	12	35.5	22	
1BM-06-18WD	G3/8"X19	M18X1.5		WD-M18	13.5	12	36	24	
1BM-06-20WD	G3/8"X19	M20X1.5		WD-M20	13.5	14	40	27	
1BM-08-16WD	G1/2"X14	M16X1.5		WD-M16	16	12	40.5	27	
1BM-08-18WD	G1/2"X14	M18X1.5		WD-M18	16	12	40.5	27	
1BM-08-20WD	G1/2"X14	M20X1.5		WD-M20	16	14	42.5	27	
1BM-08-22WD	G1/2"X14	M22X1.5		WD-M22	16	14	42.5	27	
1BM-10-20WD	G5/8"X14	M20X1.5		WD-M20	17.5	14	44.5	30	
1BM-10-22WD	G5/8"X14	M22X1.5		WD-M22	17.5	14	44.5	30	
1BM-12-22WD	G3/4"X14	M22X1.5		WD-M22	18.5	14	46.5	32	