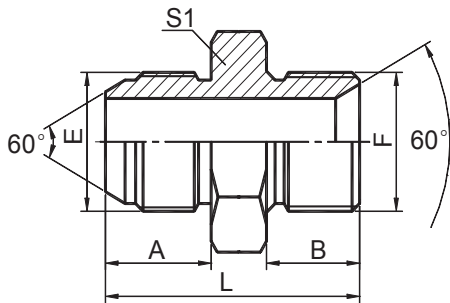


过渡接头 ADAPTER



1SB

日式英管外螺纹 60° 外锥 / 英管外螺纹 60° 内锥
 JIS GAS MALE 60° CONE/BSP MALE 60° SEAT

代号 PART NO.	螺纹 THREAD		尺寸 DIMENSIONS					
	E	F	A	B	L	S1		
1SB-04	G1/4"X19	G1/4"X19	16	12	34	19		
1SB-04-06	G1/4"X19	G3/8"X19	16	13.5	37.5	22		
1SB-06	G3/8"X19	G3/8"X19	18	13.5	39.5	22		
1SB-06-04	G3/8"X19	G1/4"X19	18	12	36	19		
1SB-06-08	G3/8"X19	G1/2"X14	18	16	44	27		
1SB-08	G1/2"X14	G1/2"X14	20	16	46	27		
1SB-08-06	G1/2"X14	G3/8"X19	20	13.5	41.5	22		
1SB-08-12	G1/2"X14	G3/4"X14	20	18.5	49.5	32		
1SB-12	G3/4"X14	G3/4"X14	22	18.5	51.5	32		
1SB-12-06	G3/4"X14	G3/8"X19	22	13.5	45.5	30		
1SB-12-08	G3/4"X14	G1/2"X14	22	16	48	30		
1SB-12-16	G3/4"X14	G1"X11	22	20.5	55.5	41		
1SB-16	G1"X11	G1"X11	24	20.5	57.5	41		
1SB-16-08	G1"X11	G1/2"X14	24	16	51	36		
1SB-16-12	G1"X11	G3/4"X14	24	18.5	53.5	36		