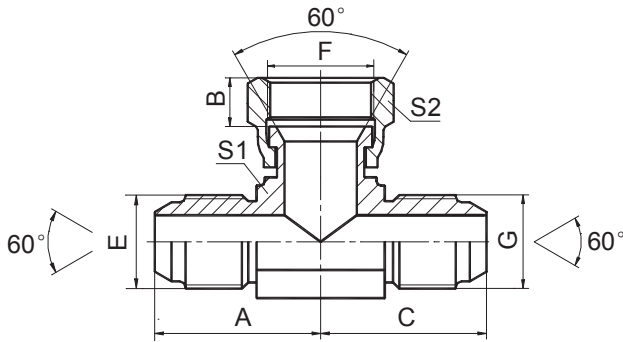


过渡接头 ADAPTER



BS

日本英管外螺纹 60° 外锥 / 日本英
管内螺纹 60° 内锥 三通
JIS GAS MALE 60° CONE / JIS GAS
FEMALE 60° SEAT BRANCH TEE

代号 PART NO.	螺纹 THREAD			尺寸 DIMENSIONS						
	E	F	G			A	B	C	S1	S2
BS-04	G1/4"X19	G1/4"X19	G1/4"X19			28	8	28	14	19
BS-06	G3/8"X19	G3/8"X19	G3/8"X19			29	9	29	16	22
BS-08	G1/2"X14	G1/2"X14	G1/2"X14			38	12	38	22	27
BS-12	G3/4"X14	G3/4"X14	G3/4"X14			43	13.5	43	27	32
BS-16	G1"X11	G1"X11	G1"X11			48.5	16	48.5	33	41