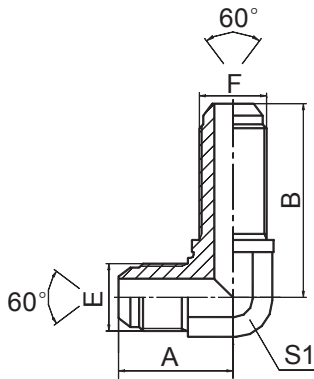
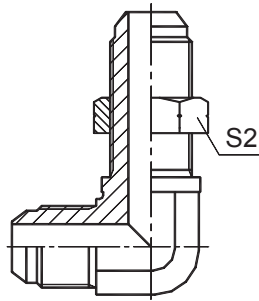


过渡接头 ADAPTER



6S9



6S9-LN

60° 日式英制外螺纹过板接头
60° JIS GAS MALE BULKHEAD

代号 PART NO.	螺纹 THREAD		尺寸 DIMENSIONS				
	E	F	A	B	S1	S2	
6S9-04	G1/4"X19	G1/4"X19	29	50	19	19	
6S9-06	G3/8"X19	G3/8"X19	33	52	22	22	
6S9-08	G1/2"X14	G1/2"X14	40.5	61.5	27	27	
6S9-12	G3/4"X14	G3/4"X14	45.5	66	33	32	
6S9-16	G1"X11	G1"X11	53	77	41	41	

注：如需带锁母整套订货，则请在代号后加“LN”，如6S9-16LN。

Note: In case if you are interested to order the adapter in complete set with lock nut , it is necessary to insert suffix "LN" after our part no.,for example 6S9-16LN.