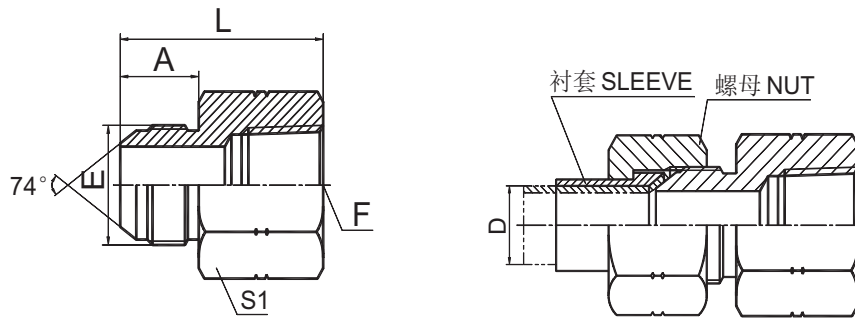


过渡接头 ADAPTER



5JN

美制 JIC 外螺纹 74° 外锥 / 布锥管内螺纹
JIC MALE 74° CONE / NPT FEMALE

代号 PART NO.	螺纹 THREAD		尺寸 DIMENSIONS					
	E	F	A	L	S1			
5JN-04-02	7/16"X20	Z1/8"X27	14	30	17			
5JN-04	7/16"X20	Z1/4"X18	14	35.5	19			
5JN-05-04	1/2"X20	Z1/4"X18	14	35.3	19			
5JN-06-04	9/16"X18	Z1/4"X18	14.1	35.6	19			
5JN-06	9/16"X18	Z3/8"X18	14.1	37.1	22			
5JN-06-08	9/16"X18	Z1/2"X14	14.1	42.5	30			
5JN-08-06	3/4"X16	Z3/8"X18	16.7	39.6	22			
5JN-08	3/4"X16	Z1/2"X14	16.7	45.6	30			
5JN-08-12	3/4"X16	Z3/4"X14	16.7	45	36			
5JN-10-08	7/8"X14	Z1/2"X14	19.3	48	30			
5JN-10-12	7/8"X14	Z3/4"X14	19.3	49.7	36			
5JN-12-08	1.1/16"X12	Z1/2"X14	21.9	52.1	30			
5JN-12	1.1/16"X12	Z3/4"X14	21.9	52.3	36			
5JN-16-12	1.5/16"X12	Z3/4"X14	23.1	50	36			
5JN-16	1.5/16"X12	Z1"X11.5	23.1	59.7	41			
5JN-20	1.5/8"X12	Z1.1/4"X11.5	24.3	61.5	50			
5JN-24	1.7/8"X12	Z1.1/2"X11.5	27.5	62.5	60			
5JN-32	2.1/2"X12	Z2"X11.5	33.9	70	70			

注：螺母及衬套需另行订货。管子直径D为公制时，配用螺母及衬套分别选用NB200、NB500。管子直径为英制时，配用螺母及衬套分别选用NB200、NB300。 Note: Nut and sleeve should be ordered separately. The nut NB200 and sleeve NB500 is suitable for metric tube, the nut NB200 and sleeve NB300 is suitable for inch tube.