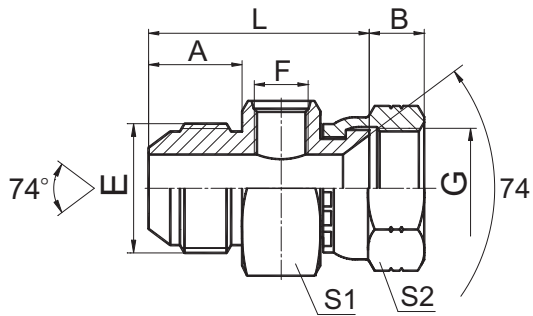


过渡接头 ADAPTER



2J-10(M10x1)

JIC 外螺纹 / 公制内螺纹 / JIC 内螺纹
 JIC MALE/METRIC FEMALE/JIC FEMALE

代号 PART NO.	螺纹 THREAD			尺寸 DIMENSIONS					
	E	F	G	A	B		L	S1	S2
2J-04(M10x1)	7/16"X20	M10X1	7/16"X20	14	9		37	24	15
2J-06(M10x1)	9/16"X18	M10X1	9/16"X18	14.1	10.5		37.5	24	19
2J-08(M10x1)	3/4"X16	M10X1	3/4"X16	16.7	11		43.5	27	24
2J-10(M10x1)	7/8"X14	M10X1	7/8"X14	19.3	13		46.5	30	27
2J-12(M10x1)	1.1/16"X12	M10X1	1.1/16"X12	21.9	15		50.5	36	32
2J-16(M10x1)	1.5/16"X12	M10X1	1.5/16"X12	23.1	16		51.5	41	41