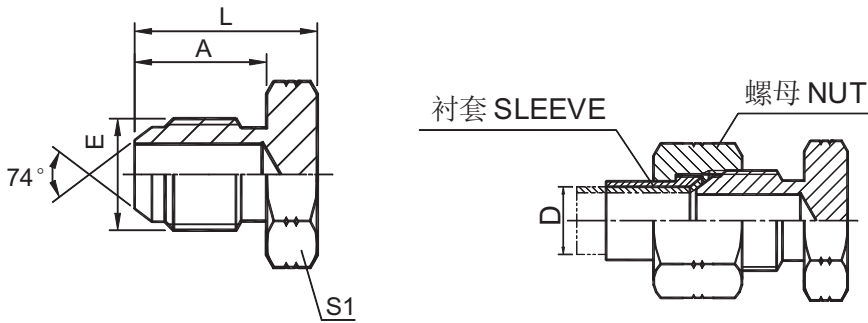


# 过渡接头 ADAPTER



**4J**

美制 JIC 外螺纹 74° 外锥堵头  
JIC MALE 74° CONE PLUG

代号 PART NO.	螺纹 THREAD				尺寸 DIMENSIONS				
	E				A	L	S1		
4J-02	5/16"X24				11.4	17.5	11		
4J-03	3/8"X24				12.2	18	11		
4J-04	7/16"X20				14	20	12		
4J-05	1/2"X20				14	20	14		
4J-06	9/16"X18				14.1	20	17		
4J-08	3/4"X16				16.7	25	22		
4J-10	7/8"X14				19.3	27.5	24		
4J-12	1.1/16"X12				21.9	32	30		
4J-14	1.3/16"X12				22.6	33.5	32		
4J-16	1.5/16"X12				23.1	34	36		
4J-20	1.5/8"X12				24.3	38	46		
4J-24	1.7/8"X12				27.5	44.5	50		
4J-32	2.1/2"X12				33.9	51	65		

注：螺母及衬套需另行订货。管子直径 D 为公制时，配用螺母及衬套分别选用 NB200、NB500。管子直径为英制时，配用螺母及衬套分别选用 NB200、NB300。 Nut and sleeve should be ordered separately. The nut NB200 and sleeve NB500 is suitable for metric tube, the nut NB200 and sleeve NB300 is suitable for inch tube.