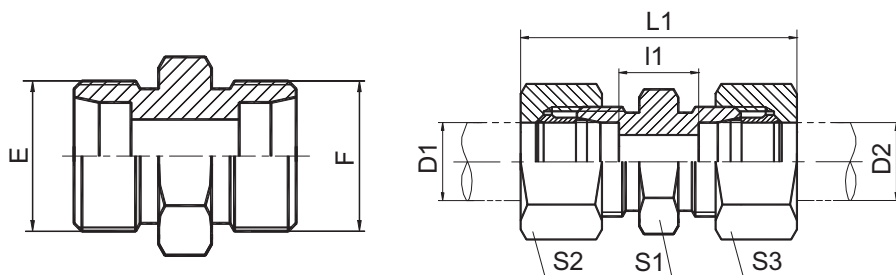


DIN 2353 Hydraulic Compression fittings



直通过接头
STRAIGHT FITTINGS

1C
1D

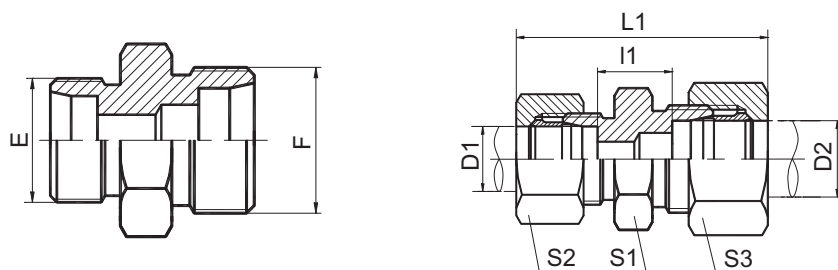
1C-RN
1D-RN

代号 PART NO.	螺纹 THREAD		管子外径 TUBE O.D.		尺寸 DIMENSIONS						压力等级 MPa
	E	F	D1	D2	l1	L1	S1	S2	S3		
1C-12	M12X1.5	M12X1.5	6	6	10	39	12	14	14		31.5 轻系列 L
1C-14	M14X1.5	M14X1.5	8	8	11	40	14	17	17		
1C-16	M16X1.5	M16X1.5	10	10	13	42	17	19	19		
1C-18	M18X1.5	M18X1.5	12	12	14	43	19	22	22		
1C-22	M22X1.5	M22X1.5	15	15	16	46	24	27	27		
1C-26	M26X1.5	M26X1.5	18	18	16	48	27	32	32		
1C-30	M30X2	M30X2	22	22	20	52	32	36	36		16 轻系列 L
1C-36	M36X2	M36X2	28	28	21	54	41	41	41		
1C-45	M45X2	M45X2	35	35	20	63	46	50	50		
1C-52	M52X2	M52X2	42	42	21	66	55	60	60		
1D-14	M14X1.5	M14X1.5	6	6	16	45	14	17	17		63 重系列 S
1D-16	M16X1.5	M16X1.5	8	8	18	47	17	19	19		
1D-18	M18X1.5	M18X1.5	10	10	17	49	19	22	22		
1D-20	M20X1.5	M20X1.5	12	12	19	51	22	24	24		
1D-22	M22X1.5	M22X1.5	14	14	22	57	24	27	27		40 重系列 S
1D-24	M24X1.5	M24X1.5	16	16	21	57	27	30	30		
1D-30	M30X2	M30X2	20	20	23	66	32	36	36		
1D-36	M36X2	M36X2	25	25	26	74	41	46	46		
1D-42	M42X2	M42X2	30	30	27	80	46	50	50		
1D-52	M52X2	M52X2	38	38	29	90	55	60	60		31.5重系列S

注：如需带卡套及卡套螺母整套订货，则请在代号后加“RN”，如1C9-30RN。

Note: In case if you are interested to order the adapter in complete set with cutting ring and nut ,it is necessary to insert suffix "RN" after our part no., for example 1C9-30RN.

DIN 2353 Hydraulic Compression fittings



直通变径接头
STRAIGHT REDUCERS

1C
1D

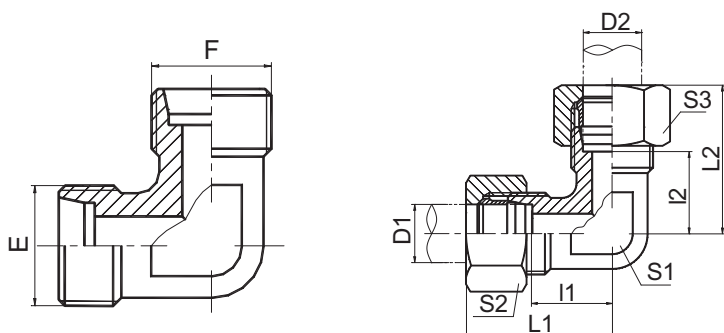
1C-RN
1D-RN

代号 PART NO.	螺纹 THREAD		管子外径 TUBE O.D.		尺寸 DIMENSIONS					压力等级 MPa
	E	F	D1	D2	L1	l1	S1	S2	S3	
1C-12-14	M12X1.5	M14X1.5	6	8	40	11	14	15	17	31.5 轻系列 L
1C-12-16	M12X1.5	M16X1.5	6	10	41	12	17	15	19	
1C-12-18	M12X1.5	M18X1.5	6	12	42	13	19	15	22	
1C-14-16	M14X1.5	M16X1.5	8	10	41	13	17	17	19	
1C-14-18	M14X1.5	M18X1.5	8	12	42	13	19	17	22	
1C-16-18	M16X1.5	M18X1.5	10	12	43	14	19	19	22	
1C-16-22	M16X1.5	M22X1.5	10	15	44.5	15	24	19	27	
1C-16-26	M16X1.5	M26X1.5	10	18	46	15.5	27	19	32	
1C-18-22	M18X1.5	M22X1.5	12	15	44.5	15	24	22	27	
1C-18-26	M18X1.5	M26X1.5	12	18	46	15.5	27	22	32	
1C-18-30	M18X1.5	M30X2	12	22	48	17.5	32	22	36	
1C-22-26	M22X1.5	M26X1.5	15	18	47.5	16.5	27	27	32	
1C-22-30	M22X1.5	M30X2	15	22	49.5	18.5	32	27	36	
1C-26-30	M26X1.5	M30X2	18	22	50	18	32	32	36	
1C-26-36	M26X1.5	M36X2	18	28	51.5	19	41	32	41	
1C-30-36	M30X2	M36X2	22	28	53.5	21	41	36	41	
1C-30-45	M30X2	M45X2	22	35	58.5	21	46	36	50	
1C-36-45	M36X2	M45X2	28	35	59	21	46	41	50	
1D-14-16	M14X1.5	M16X1.5	6	8	47	18	17	17	19	
1D-14-18	M14X1.5	M18X1.5	6	10	48	17.5	19	17	22	
1D-14-20	M14X1.5	M20X1.5	6	12	50	19.5	22	17	24	
1D-16-18	M16X1.5	M18X1.5	8	10	48	17.5	19	19	22	
1D-16-20	M16X1.5	M20X1.5	8	12	50	19.5	22	19	24	
1D-18-20	M18X1.5	M20X1.5	10	12	51	19	22	22	24	
1D-18-22	M18X1.5	M22X1.5	10	14	54	20.5	24	22	27	
1D-18-30	M18X1.5	M30X2	10	20	59.5	22	32	22	36	
1D-20-22	M20X1.5	M22X1.5	12	14	54	20.5	24	24	27	
1D-20-24	M20X1.5	M24X1.5	12	16	54	20	27	24	30	
1D-20-30	M20X1.5	M30X2	12	20	59.5	22	32	24	36	
1D-22-24	M22X1.5	M24X1.5	14	16	57	21.5	27	27	30	
1D-24-30	M24X1.5	M30X2	16	20	62.5	23	32	30	36	
1D-24-36	M24X1.5	M36X2	16	25	67.5	25.5	41	30	46	
1D-30-36	M30X2	M36X2	20	25	71	25.5	41	36	46	
1D-30-42	M30X2	M42X2	20	30	74	26	46	36	50	
1D-36-42	M36X2	M42X2	25	30	77	26.5	46	46	50	
1D-42-52	M42X2	M52X2	30	38	86.5	28.5	55	50	60	

注：如需带卡套及卡套螺母整套订货，则请在代号后加“RN”，如1C9-30RN。

Note: In case if you are interested to order the adapter in complete set with cutting ring and nut ,it is necessary to insert suffix "RN" after our part no., for example 1C9-30RN.

DIN 2353 Hydraulic Compression fittings



90° 弯曲接头
90° ELBOW FITTINGS

1C9
1D9

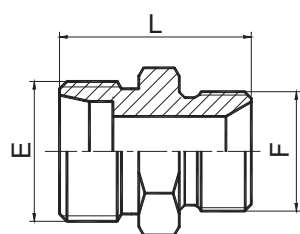
1C9-RN
1D9-RN

代号 PART NO.	螺纹 THREAD		管子外径 TUBE O.D.		尺寸 DIMENSIONS						压力等级 MPa
	E	F	D1	D2	l1,l2	L1,L2	S1	S2,S3			
1C9-12	M12X1.5	M12X1.5	6	6	12	27	12	14			31.5 轻系列 L
1C9-14	M14X1.5	M14X1.5	8	8	14	29	12	17			
1C9-16	M16X1.5	M16X1.5	10	10	15	30	14	19			
1C9-18	M18X1.5	M18X1.5	12	12	17	32	17	22			
1C9-22	M22X1.5	M22X1.5	15	15	21	36	19	27			
1C9-26	M26X1.5	M26X1.5	18	18	23.5	40	24	32			
1C9-30	M30X2	M30X2	22	22	27.5	44	27	36			16 轻系列 L
1C9-36	M36X2	M36X2	28	28	30.5	47	36	41			
1C9-45	M45X2	M45X2	35	35	34.5	56	41	50			
1C9-52	M52X2	M52X2	42	42	40	63	50	60			
1D9-14	M14X1.5	M14X1.5	6	6	16	31	12	17			63 重系列 S
1D9-16	M16X1.5	M16X1.5	8	8	17	32	14	19			
1D9-18	M18X1.5	M18X1.5	10	10	17.5	34	17	22			
1D9-20	M20X1.5	M20X1.5	12	12	21.5	38	17	24			
1D9-22	M22X1.5	M22X1.5	14	14	22	40	19	27			
1D9-24	M24X1.5	M24X1.5	16	16	24.5	43	24	30			40 重系列 S
1D9-30	M30X2	M30X2	20	20	26.5	48	27	36			
1D9-36	M36X2	M36X2	25	25	30	54	36	46			
1D9-42	M42X2	M42X2	30	30	35.5	62	41	50			
1D9-52	M52X2	M52X2	38	38	41	72	50	60			31.5 重系列S

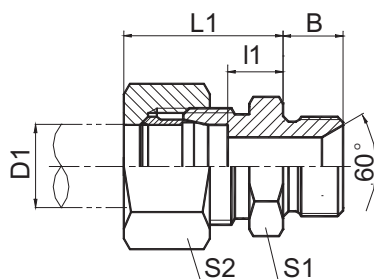
注：如需带卡套及卡套螺母整套订货，则请在代号后加“RN”，如1C9-30RN。

Note: In case if you are interested to order the adapter in complete set with cutting ring and nut ,it is necessary to insert suffix "RN" after our part no., for example 1C9-30RN.

DIN 2353 Hydraulic Compression fittings



1CB
1DB



1CB-RN
1DB-RN

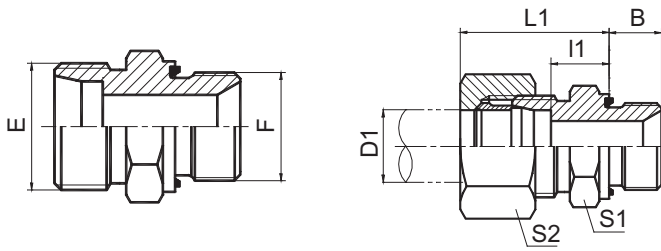
英管螺纹 60° 锥密封或
组合垫密封两用柱端
BSP THREAD 60° CONE SEALING
OR BONDED SEAL STUD ENDS

代号 PART NO.	螺纹 THREAD		管子外径 TUBE O.D. D1	尺寸 DIMENSIONS						压力等级 MPa
	E	F		B	I1	L1	L	S1	S2	
1CB-12-02	M12X1.5	G1/8"X28	6	10	8	23	24	14	14	31.5 轻系列 L
1CB-12-04	M12X1.5	G1/4"X19	6	12	9	24	28	19	14	
1CB-14-02	M14X1.5	G1/8"X28	8	10	8	23	25	14	17	
1CB-14-04	M14X1.5	G1/4"X19	8	12	9	25	28	19	17	
1CB-14-06	M14X1.5	G3/8"X19	8	13.5	9	24	28.5	22	17	
1CB-16-04	M16X1.5	G1/4"X19	10	12	10	25	28	19	19	
1CB-16-06	M16X1.5	G3/8"X19	10	13.5	12.5	25	33	22	19	
1CB-16-08	M16X1.5	G1/2"X14	10	16	11	26	32	27	19	
1CB-18-04	M18X1.5	G1/4"X19	12	12	10	25	29	19	22	
1CB-18-06	M18X1.5	G3/8"X19	12	13.5	10	25	30.5	22	22	
1CB-18-08	M18X1.5	G1/2"X14	12	16	11	26	33	27	22	
1CB-18-12	M18X1.5	G3/4"X14	12	18.5	11	26	36.5	32	22	
1CB-22-06	M22X1.5	G3/8"X19	15	13.5	11	26	31.5	24	27	
1CB-22-08	M22X1.5	G1/2"X14	15	16	12	27	34	27	27	
1CB-26-08	M26X1.5	G1/2"X14	18	16	11.5	28	35	27	32	
1CB-26-12	M26X1.5	G3/4"X14	18	18.5	11.5	28	35.5	32	32	
1CB-30-12	M30X2	G3/4"X14	22	18.5	13.5	30	39.5	32	36	16 轻系列 L
1CB-36-16	M36X2	G1"X11	28	20.5	14.5	31	42.5	41	41	
1CB-45-20	M45X2	G1.1/4"X11	35	20.5	15.5	37	45.5	50	50	
1CB-52-24	M52X2	G1.1/2"X11	42	23	16	39	50	55	60	
1DB-14-04	M14X1.5	G1/4"X19	6	12	13	28	30	19	17	63 重系列 S
1DB-16-04	M16X1.5	G1/4"X19	8	12	13	28	32	19	19	
1DB-16-06	M16X1.5	G3/8"X19	8	13.5	15	32	35.5	22	19	
1DB-18-04	M18X1.5	G1/4"X19	10	12	12.5	29	32	19	22	
1DB-18-06	M18X1.5	G3/8"X19	10	13.5	14.5	31	33.5	22	22	
1DB-18-08	M18X1.5	G1/2"X14	10	16	14.5	31	36	27	22	
1DB-20-04	M20X1.5	G1/4"X19	12	12	14.5	31	34	22	24	
1DB-20-06	M20X1.5	G3/8"X19	12	13.5	14.5	31	35.5	22	24	
1DB-20-08	M20X1.5	G1/2"X14	12	16	14.5	31	38	27	24	
1DB-22-08	M22X1.5	G1/2"X14	14	16	16	34	40	27	27	
1DB-24-06	M24X1.5	G3/8"X19	16	13.5	15.5	34	37.5	27	30	40 重系列 S
1DB-24-08	M24X1.5	G1/2"X14	16	16	15.5	34	40	27	30	
1DB-24-12	M24X1.5	G3/4"X14	16	18.5	17.5	36	44.5	32	30	
1DB-30-12	M30X2	G3/4"X14	20	18.5	17.5	39	48.5	32	36	
1DB-36-08	M36X2	G1/2"X14	25	16	19	43	48	38	46	
1DB-36-12	M36X2	G3/4"X14	25	18.5	19	43	50.5	38	46	
1DB-36-16	M36X2	G1"X11	25	20.5	20	44	52.5	41	46	
1DB-42-20	M42X2	G1.1/4"X11	30	20.5	21.5	48	54.5	50	50	
1DB-52-24	M52X2	G1.1/2"X11	38	23	23	54	62	55	60	31.5 重系列 S

注：如需带卡套及卡套螺母整套订货，则请在代号后加“RN”，如 1DB-20-08RN。

Note: In case if you are interested to order the adapter in complete set with cutting ring and nut ,it is necessary to insert suffix "RN" after our part no., for example 1DB-20-08RN.

DIN 2353 Hydraulic Compression fittings



英管螺纹胶垫密封柱端
BSP THREAD WITH CAPTIVE SEAL

1CB-WD
1DB-WD

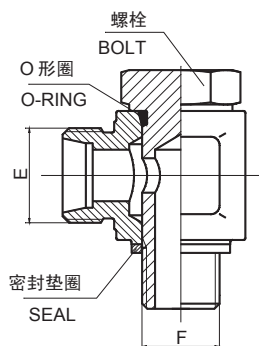
1CB-WD/RN
1DB-WD/RN

代号 PART NO.	螺纹 THREAD		管子外径 TUBE O.D. D1	尺寸 DIMENSIONS						压力等级 MPa
	E	F		B	l1	L1	S1	S2		
1CB-12-02WD	M12X1.5	G1/8"X28	6	8	8.5	23.5	14	14		31.5 轻系列 L
1CB-12-04WD	M12X1.5	G1/4"X19	6	12	10	25	19	14		
1CB-12-06WD	M12X1.5	G3/8"X19	6	12	11.5	26.5	22	14		
1CB-14-02WD	M14X1.5	G1/8"X28	8	8	9	24	14	17		
1CB-14-04WD	M14X1.5	G1/4"X19	8	12	10	24	19	17		
1CB-14-06WD	M14X1.5	G3/8"X19	8	12	11	26	22	17		
1CB-16-04WD	M16X1.5	G1/4"X19	10	12	11	24.5	19	19		
1CB-16-06WD	M16X1.5	G3/8"X19	10	12	12.5	26	22	19		
1CB-16-08WD	M16X1.5	G1/2"X14	10	14	13	28	27	19		
1CB-18-04WD	M18X1.5	G1/4"X19	12	12	12	27	19	22		
1CB-18-06WD	M18X1.5	G3/8"X19	12	12	12.5	26	22	22		
1CB-18-08WD	M18X1.5	G1/2"X14	12	14	14	28	27	22		
1CB-22-04WD	M22X1.5	G1/4"X19	15	12	13	28	24	27		
1CB-22-06WD	M22X1.5	G3/8"X19	15	12	13.5	28	24	27		
1CB-22-08WD	M22X1.5	G1/2"X14	15	14	14	29	27	27		
1CB-22-12WD	M22X1.5	G3/4"X14	15	16	15	29	32	27		
1CB-26-08WD	M26X1.5	G1/2"X14	18	14	14.5	31	27	32		
1CB-26-12WD	M26X1.5	G3/4"X14	18	16	14.5	31	32	32		
1CB-30-12WD	M30X2	G3/4"X14	22	16	16.5	33	32	36		
1CB-36-16WD	M36X2	G1"X11	28	18	17.5	34	41	41		
1CB-45-20WD	M45X2	G1.1/4"X11	35	20	17.5	39	50	50		
1CB-52-24WD	M52X2	G1.1/2"X11	42	22	19	42	55	60		
1DB-14-04WD	M14X1.5	G1/4"X19	6	12	15		19	17		
1DB-16-04WD	M16X1.5	G1/4"X19	8	12	15	30	19	19		
1DB-16-06WD	M16X1.5	G3/8"X19	8	12	15.5	30	22	19		
1DB-18-04WD	M18X1.5	G1/4"X19	10	12	14.5	31	19	22		
1DB-18-06WD	M18X1.5	G3/8"X19	10	12	14.5	31	22	22		
1DB-18-08WD	M18X1.5	G1/2"X14	10	14	17.5	34	27	22		
1DB-20-04WD	M20X1.5	G1/4"X19	12	12	16.5	33	22	24		
1DB-20-06WD	M20X1.5	G3/8"X19	12	12	15	33	22	24		
1DB-20-08WD	M20X1.5	G1/2"X14	12	14	17.5	34	27	24		
1DB-22-08WD	M22X1.5	G1/2"X14	14	14	19	37	27	27		
1DB-24-06WD	M24X1.5	G3/8"X19	16	12	18	36.5	27	30		
1DB-24-08WD	M24X1.5	G1/2"X14	16	14	18.5	37	27	30		
1DB-24-12WD	M24X1.5	G3/4"X14	16	16	20.5	39	32	30		
1DB-30-12WD	M30X2	G3/4"X14	20	16	20.5	42	32	36		
1DB-36-08WD	M36X2	G1/2"X14	25	14	23	47	41	46		
1DB-36-12WD	M36X2	G3/4"X14	25	16	23	47	41	46		
1DB-36-16WD	M36X2	G1"X11	25	18	23	47	41	46		
1DB-42-20WD	M42X2	G1.1/4"X11	30	20	23.5	50	50	50		
1DB-52-24WD	M52X2	G1.1/2"X11	38	22	26	57	55	60		

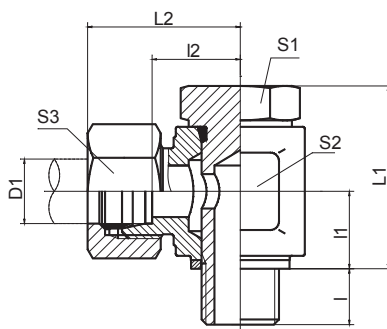
注：如需带卡套及卡套螺母整套订货，则请在代号后加“RN”，如 1DB-20-08WD/RN。

Note: In case if you are interested to order the adapter in complete set with cutting ring and nut ,it is necessary to insert suffix "RN" after our part no. , for example 1DB-20-08WD/RN.

DIN 2353 Hydraulic Compression fittings



**1CI
1DI**



**1CI-RN
1DI-RN**

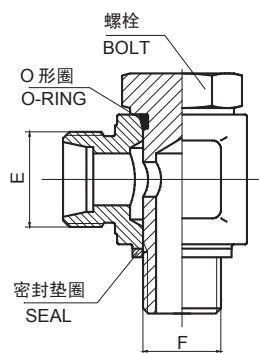
公制螺纹铰接接头
METRIC BANJO

代号 PART NO.	螺 纹THREAD		管子外径D1 TUBE O.D.	尺 寸DIMENSIONS									螺栓 BOLT	O 形圈 O-RING	密封垫圈 SEAL	压力等级 MPa
	E	F		l	l1	L1	l2	L2	S1	S2	S3					
1CI-12-10	M12X1.5	M10X1	6	8	11	25.5	12	27	14	17	14	700M-10I	O08.1X1.6	ZHD-10	31.5 轻系列 L	
1CI-14-12	M14X1.5	M12X1.5	8	12	14.5	33	14.5	29	17	22	17	700M-12I	O09.3X2.4	ZHD-12		
1CI-16-14	M16X1.5	M14X1.5	10	12	14.5	33	16.5	31	19	24	19	700M-14I	O11.3X2.4	ZHD-14		
1CI-18-16	M18X1.5	M16X1.5	12	12	17	39	19	34	22	27	22	700M-16I	O13.3X2.4	ZHD-16		
1CI-22-18	M22X1.5	M18X1.5	15	12	18.5	42	21.5	37	24	30	27	700M-18I	O15.3X2.4	ZHD-18		
1CI-26-22	M26X1.5	M22X1.5	18	14	21.5	49	22	38	27	32	32	700M-22I	O19.3X2.4	ZHD-22		
1CI-30-26	M30X2	M26X1.5	22	16	24	56	28.5	45	36	41	36	700M-26I	O23.5X3.0	ZHD-27	16 轻系列 L	
1CI-36-33	M36X2	M33X2	28	18	30.5	71	33	50	41	50	41	700M-33I	O29.5X3.0	ZHD-33		
1CI-45-42	M45X2	M42X2	35	20	35.5	82	37	59	50	60	50	700M-42I	O38.5X3.0	ZHD-42		
1CI-52-48	M52X2	M48X2	42	22	40.5	93	41.5	64	55	70	60	700M-48I	O44.5X3.0	ZHD-48		
1DI-14-12	M14X1.5	M12X1.5	6	12	14.5	33	16.5	31	17	22	17	700M-12I	O09.3X2.4	ZHD-12	63 重系列 S	
1DI-16-14	M16X1.5	M14X1.5	8	12	14.5	33	17.5	32	19	24	19	700M-14I	O11.3X2.4	ZHD-14		
1DI-18-16	M18X1.5	M16X1.5	10	12	17	39	19.5	36	22	27	22	700M-16I	O13.3X2.4	ZHD-16		
1DI-20-18	M20X1.5	M18X1.5	12	12	18.5	42	21	37	24	30	24	700M-18I	O15.3X2.4	ZHD-18		
1DI-22-20	M22X1.5	M20X1.5	14	14	20	46	23.5	41	27	32	27	700M-20I	O17.3X2.4	ZHD-20		
1DI-24-22	M24X1.5	M22X1.5	16	14	21.5	49	23	41	27	32	30	700M-22I	O19.3X2.4	ZHD-22		
1DI-30-27	M30X2	M27X2	20	16	24	56	27.5	49	36	41	36	700M-27I	O23.5X3.0	ZHD-27	40 重系列 S	
1DI-36-33	M36X2	M33X2	25	18	30.5	71	32.5	57	41	50	46	700M-33I	O29.5X3.0	ZHD-33		
1DI-42	M42X2	M42X2	30	20	35.5	82	38	65	50	60	50	700M-42I	O38.5X3.0	ZHD-42		
1DI-52-48	M52X2	M48X2	38	22	40.5	93	42.5	73	55	70	60	700M-48I	O44.5X3.0	ZHD-48		

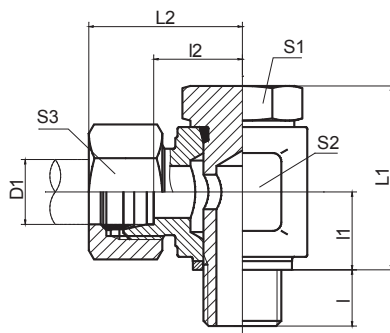
注：如需带卡套及卡套螺母整套订货，则请在代号后加“RN”，如1D1-36-33RN。

Note: In case if you are interested to order the adapter in complete set with cutting ring and nut ,it is necessary to insert suffix "RN" after our part no., for example 1D1-36-33RN.

DIN 2353 Hydraulic Compression fittings



1CI-B
1DI-B



1CI-B/RN
1DI-B/RN

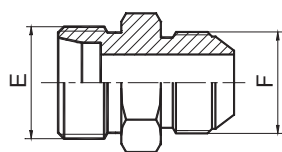
英管螺纹铰接接头
BSP BANJO

代号 PART NO.	螺纹THREAD		管子外径D1 TUBE O.D.	尺寸 DIMENSIONS									螺栓 BOLT	O形圈 O-RING	密封垫圈 SEAL	压力等级 MPa
	E	F		I	I1	L1	I2	L2	S1	S2	S3					
1CI-12-B02	M12X1.5	G1/8"	6	8	11	25.5	12	27	14	17	14	720B-02I	O08.1X1.6	ZHD-10	31.5 轻系列 L	
1CI-14-B04	M14X1.5	G1/4"	8	12	14.5	33	15.5	30	19	24	17	720B-04I	O11.3X2.4	ZHD-14		
1CI-16-B04	M16X1.5	G1/4"	10	12	14.5	33	16.5	31	19	24	19	720B-04I	O11.3X2.4	ZHD-14		
1CI-18-B06	M18X1.5	G3/8"	12	12	16.5	38	19	34.5	24	27	22	720B-06I	O15.3X2.4	ZHD-18		
1CI-22-B08	M22X1.5	G1/2"	15	14	21.5	49	22.5	38	27	32	27	720B-08I	O19.3X2.4	ZHD-22		
1CI-26-B08	M26X1.5	G1/2"	18	14	21.5	49	22	38	27	32	32	720B-08I	O19.3X2.4	ZHD-22		
1CI-30-B12	M30X2	G3/4"	22	16	24	56	28.5	45	36	41	36	720B-12I	O23.5X3.0	ZHD-27	16 轻系列 L	
1CI-36-B16	M36X2	G1"	28	18	30.5	71	33	50	41	50	41	720B-16I	O29.5X3.0	ZHD-33		
1CI-45-B20	M45X2	G1.1/4"	35	20	35.5	82	37	59	50	60	50	720B-20I	O38.5X3.0	ZHD-42		
1CI-52-B24	M52X2	G1.1/2"	42	22	40.5	93	41.5	64	55	70	60	720B-24I	O44.5X3.0	ZHD-48		
1DI-14-B04	M14X1.5	G1/4"	6	12	14.5	33	17.5	32	19	24	17	720B-04I	O11.3X2.4	ZHD-14	63 重系列 S	
1DI-16-B04	M16X1.5	G1/4"	8	12	14.5	33	17.5	32	19	24	19	720B-04I	O11.3X2.4	ZHD-14		
1DI-18-B06	M18X1.5	G3/8"	10	12	16.5	38	21	38	24	30	22	720B-06I	O15.3X2.4	ZHD-18		
1DI-20-B06	M20X1.5	G3/8"	12	12	16.5	38	21	38	24	30	24	720B-06I	O15.3X2.4	ZHD-18		
1DI-22-B08	M22X1.5	G1/2"	14	14	21.5	49	23.5	41	27	32	27	720B-08I	O19.3X2.4	ZHD-22		
1DI-24-B08	M24X1.5	G1/2"	16	14	21.5	49	23	41	27	32	30	720B-08I	O19.3X2.4	ZHD-22		
1DI-30-B12	M30X2	G3/4"	20	16	24	56	27.5	49	36	41	36	720B-12I	O23.5X3.0	ZHD-27	40 重系列 S	
1DI-36-B16	M36X2	G1"	25	18	30.5	71	32.5	57	41	50	46	720B-16I	O29.5X3.0	ZHD-33		
1DI-42-B20	M42X2	G1.1/4"	30	20	35.5	82	38	65	50	60	50	720B-20I	O38.5X3.0	ZHD-42		
1DI-52-B24	M52X2	G1.1/2"	38	22	40.5	93	42.5	73	55	70	60	720B-24I	O44.5X3.0	ZHD-48		

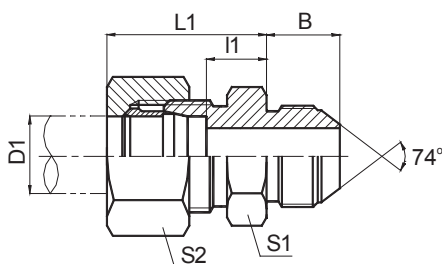
注：如需带卡套及卡套螺母整套订货，则请在代号后加“RN”，如 1D1-36-B16RN。

Note: In case if you are interested to order the adapter in complete set with cutting ring and nut ,it is necessary to insert suffix "RN" after our part no., for example 1D1-36-B16RN.

DIN 2353 Hydraulic Compression fittings



1CJ
1DJ



1CJ-RN
1DJ-RN

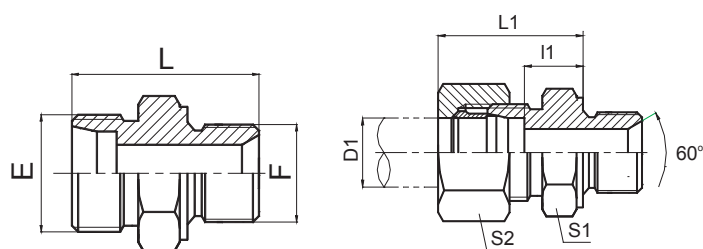
美制JIC74° 锥密封
JIC 74° CONE SEALING

代号 PART NO.	螺纹 THREAD		管子外径 TUBE O.D.	尺寸 DIMENSIONS						压力等级 MPa
	E	F		D1	B	l1	L1	S1	S2	
1CJ-10-04LL	M10x1	7/16"X20	6	14	6.5	20	12	12	31.5 轻系列 L	
1CJ-12A-04LL	M12x1	7/16"X20	8	14	8.5	22	12	14		
1CJ-12-04	M12x1.5	7/16"X20	6	14	9	24	14	14		
1CJ-14-04	M14x1.5	7/16"X20	8	14	8	23	15	17		
1CJ-14-06	M14x1.5	9/16"X18	8	14.1	8	23	15	17		
1CJ-16-06	M16x1.5	9/16"X18	10	14.1	9	24	17	19		
1CJ-18-06	M18x1.5	9/16"X18	12	14.1	10	25	19	22		
1CJ-18-08	M18x1.5	3/4"X16	12	16.7	10	25	22	22		
1CJ-22-08	M22x1.5	3/4"X16	15	16.7	10.8	26	24	27		
1CJ-22-10	M22x1.5	7/8"X14	15	19.3	11	26	24	27		
1CJ-26-10	M26X1.5	7/8"X14	18	19.3	11.5	28	27	32		
1CJ-26-12	M26X1.5	1.1/16"X12	18	21.9	11.6	28	30	32		
1CJ-30-12	M30x2	1.1/16"X12	22	21.9	13.5	30	32	36		
1CJ-30D-12	M30X1.5	1.1/16"X12	22	21.9	13.5	30	32	36		
1CJ-30D-16	M30X1.5	1.5/16"X12	22	23.1	14.5	31	36	36		
1CJ-36-16	M36x2	1.5/16"X12	28	23.1	14.5	31	41	41		
1CJ-36D-12	M36X1.5	1.1/16"X12	28	21.9	14.5	31	41	41		
1CJ-36D-16	M36X1.5	1.5/16"X12	28	23.1	14.5	31	41	41		
1CJ-45-20	M45X2	1.5/8"X12	35	24.3	14.5	36	46	50		
1CJ-45D-20	M45X1.5	1.5/8"X12	35	24.3	15.5	37	46	50		
1CJ-52-20	M52X2	1.5/8"X12	42	24.3	16	39	55	60		
1CJ-52-24	M52X2	1.7/8"X12	42	27.5	16	39	55	60		
1DJ-14-04	M14x1.5	7/16"X20	6	14	11	26	14	14		
1DJ-16-04	M16x1.5	7/16"X20	8	14	13	28	17	19		
1DJ-16-06	M16x1.5	9/16"X18	8	14.1	12.9	28	17	34		
1DJ-18-04	M18x1.5	7/16"X20	10	14	12.5	29	19	22		
1DJ-18-06	M18x1.5	9/16"X18	10	14.1	12.5	29	19	22		
1DJ-20-06	M20x1.5	9/16"X18	12	14.1	14.5	31	22	24		
1DJ-20-08	M20x1.5	3/4"X16	12	16.7	14.3	31	22	24		
1DJ-22-08	M22x1.5	3/4"X16	14	16.7	16	34	24	27		
1DJ-24-08	M24x1.5	3/4"X16	16	16.7	15.5	34	27	30		
1DJ-24-10	M24x1.5	7/8"X14	16	19.3	15.5	34	27	30		
1DJ-30-12	M30x2	1.1/16"X12	20	21.9	17.5	39	32	36		
1DJ-36-12	M36x2	1.1/16"X12	25	21.9	19	43	38	46		
1DJ-36-16	M36x2	1.5/16"X12	25	23.1	19	43	38	46		
1DJ-42-20	M42x2	1.5/8"X12	30	24.3	20.5	47	46	50		
1DJ-52-24	M52X2	1.7/8"X12	38	27.5	23	54	55	60		

注：如需带卡套及卡套螺母整套订货，则请在代号后加“RN”，如 1DJ-20-18RN。

Note: In case if you are interested to order the adapter in complete set with cutting ring and nut, it is necessary to insert suffix "RN" after our part no., for example 1DJ-20-18RN.

DIN 2353 Hydraulic Compression fittings



公制螺纹60° 锥密封或
组合垫密封两用柱端
METRIC THREAD 60° CONE SEALING
OR BONDED SEAL STUD ENDS

**1CM
1DM**

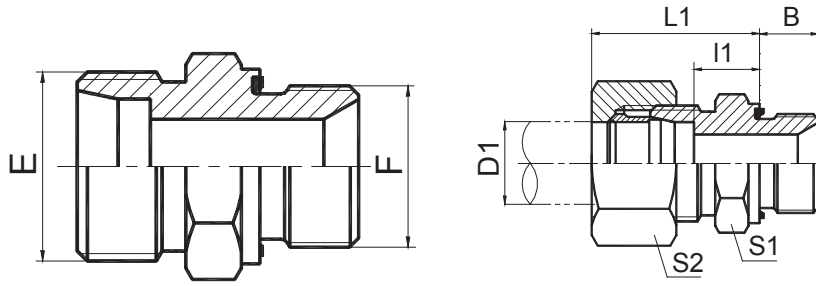
**1CM-RN
1DM-RN**

代号 PART NO.	螺纹 THREAD		管子外径 TUBE O.D.		尺寸 DIMENSIONS					压力等级 MPa
	E	F	D1		B	I1	L1	S1	S2	
1CM-12-10	M12X1.5	M10X1	6		8	8.5	23	14	14	31.5 轻系列 L
1CM-14-12	M14X1.5	M12X1.5	8		12	10	25	17	17	
1CM-14-18	M14X1.5	M18X1.5	8		12	11.5	26	24	17	
1CM-16-14	M16X1.5	M14X1.5	10		12	11	26	19	19	
1CM-16	M16X1.5	M16X1.5	10		12	12	27	22	19	
1CM-16-18	M16X1.5	M18X1.5	10		12	12.5	27	24	19	
1CM-16-22	M16X1.5	M22X1.5	10		14	14	29	27	19	
1CM-18-14	M18X1.5	M14X1.5	12		12	11	26	19	22	
1CM-18-16	M18X1.5	M16X1.5	12		12	12	27	22	22	
1CM-18	M18X1.5	M18X1.5	12		12	12.5	27	24	22	
1CM-18-22	M18X1.5	M22X1.5	12		14	14	29	27	22	
1CM-22-16	M22X1.5	M16X1.5	15		12	13	28	24	27	
1CM-22-18	M22X1.5	M18X1.5	15		12	13.5	29	24	27	
1CM-22	M22X1.5	M22X1.5	15		14	15	30	27	27	
1CM-26-18	M26X1.5	M18X1.5	18		12	14	30	27	32	
1CM-26-22	M26X1.5	M22X1.5	18		14	14.5	31	27	32	
1CM-30-22	M30X2	M22X1.5	22		14	16.5	33	32	36	
1CM-30-26	M30X2	M26X1.5	22		16	16.5	33	32	36	
1CM-30-27	M30X2	M27X2	22		16	18.5	35	32	36	
1CM-36-33	M36X2	M33X2	28		18	17.5	34	41	41	
1CM-45-42	M45X2	M42X2	35		20	17.5	39	50	50	
1CM-52-48	M52X2	M48X2	42		22	19	42	55	60	
1DM-14-12	M14X1.5	M12X1.5	6		12	13	28	17	17	
1DM-16-14	M16X1.5	M14X1.5	8		12	15	30	19	19	
1DM-18-16	M18X1.5	M16X1.5	10		12	15	31	22	22	
1DM-20-18	M20X1.5	M18X1.5	12		12	17	33	24	24	
1DM-20-22	M20X1.5	M22X1.5	12		14	17.5	34	27	24	
1DM-22-20	M22X1.5	M20X1.5	14		14	19	37	27	27	
1DM-24-18	M24X1.5	M18X1.5	16		12	18	36	27	30	
1DM-24-22	M24X1.5	M22X1.5	16		14	18.5	37	27	30	
1DM-30-27	M30X2	M27X2	20		16	20.5	42	32	36	
1DM-36-33	M36X2	M33X2	25		18	23	47	41	46	
1DM-42	M42X2	M42X2	30		20	23.5	50	50	50	
1DM-52-48	M52X2	M48X2	38		22	57	55	60		

注：如需带卡套及卡套螺母整套订货，则请在代号后加“RN”，如1DM-20-18RN。

Note: In case if you are interested to order the adapter in complete set with cutting ring and nut ,it is necessary to insert suffix "RN" after our part no., for example 1DM-20-18RN.

DIN 2353 Hydraulic Compression fittings



公制螺纹胶垫密封柱端
 METRIC THREAD WITH
 CAPTIVE SEAL

1CM-WD
1DM-WD

1CM-WD/RN
1DM-WD/RN

代号 PART NO.	螺纹 THREAD		管子外径 TUBE O.D.		尺寸 DIMENSIONS						压力等级 MPa
	E	F	D1		B	I1	L1	S1	S2		
1CM-12-10WD	M12X1.5	M10X1	6		8	8.5	23	14	14		31.5 轻系列 L
1CM-14-12WD	M14X1.5	M12X1.5	8		12	10	25	17	17		
1CM-16-12WD	M16X1.5	M12X1.5	10		12	11	25	17	19		
1CM-16-14WD	M16X1.5	M14X1.5	10		12	11	26	19	19		
1CM-16-18WD	M16X1.5	M18X1.5	10		12	12.5	27	24	19		
1CM-18-16WD	M18X1.5	M16X1.5	12		12	12.5	27	22	22		
1CM-18WD	M18X1.5	M18X1.5	12		12	12.5	27	24	22		
1CM-18-22WD	M18X1.5	M22X1.5	12		14	14	29	27	22		
1CM-22-18WD	M22X1.5	M18X1.5	15		12	13.5	29	24	27		
1CM-22WD	M22X1.5	M22X1.5	15		14	15	30	27	27		
1CM-26-22WD	M26X1.5	M22X1.5	18		14	14.5	31	27	32		
1CM-30-26WD	M30X2	M26X1.5	22		16	16.5	33	32	36		16 轻系列 L
1CM-30-27WD	M30X2	M27X2	22		16	16.5	33	32	36		
1CM-36-33WD	M36X2	M33X2	28		18	17.5	34	41	41		
1CM-45-42WD	M45X2	M42X2	35		20	17.5	39	50	50		
1CM-52-48WD	M52X2	M48X2	42		22	19	42	55	60		
1DM-14-12WD	M14X1.5	M12X1.5	6		12	13	28	17	17		63 重系列 S
1DM-16-14WD	M16X1.5	M14X1.5	8		12	15	30	19	19		
1DM-18-16WD	M18X1.5	M16X1.5	10		12	15	31	22	22		
1DM-20-18WD	M20X1.5	M18X1.5	12		12	17	33	24	24		
1DM-22-20WD	M22X1.5	M20X1.5	14		14	19	37	27	27		40 重系列 S
1DM-24-22WD	M24X1.5	M22X1.5	16		14	18.5	37	27	30		
1DM-30-27WD	M30X2	M27X2	20		16	20.5	42	32	36		
1DM-36-33WD	M36X2	M33X2	25		18	23	47	41	46		
1DM-42WD	M42X2	M42X2	30		20	23.5	50	50	50		
1DM-52-48WD	M52X2	M48X2	38		22	26	57	55	60		31.5重系列S

注：如需带卡套及卡套螺母整套订货，则请在代号后加“RN”，如1DM-20-18WD/RN。

Note: In case if you are interested to order the adapter in complete set with cutting ring and nut ,it is necessary to insert suffix "RN" after our part no., for example 1DM-20-18WD/RN.