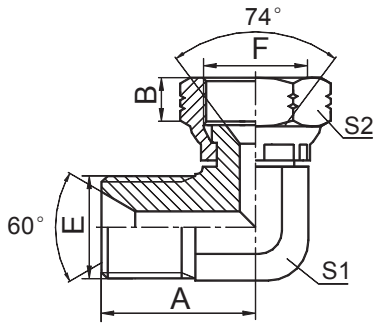


过渡接头 ADAPTER



2BJ9

90° 英管外螺纹 60° 内锥 / 美制 JIC 内螺纹 74° 内锥
 90° BSP MALE 60° SEAT/JIC FEMALE 74° SEAT

代号 PART NO.	螺纹 THREAD		尺寸 DIMENSIONS						
	E	F			A	B	S1	S2	
2BJ9-02-04	G 1/8"X28	7/16"X20			19.8	16	11	15	
2BJ9-04	G 1/4"X19	7/16"X20			24.5	9	14	15	
2BJ9-06	G 3/8"X19	9/16"X18			27.5	10.5	16	19	
2BJ9-08	G 1/2"X14	3/4"X16			34.5	11	22	24	
2BJ9-10	G 5/8"X14	7/8"X14			35	13	22	27	
2BJ9-12	G 3/4"X14	1.1/16"X12			40	15	27	32	
2BJ9-16	G 1"X11	1.5/16"X12			46	16	33	41	