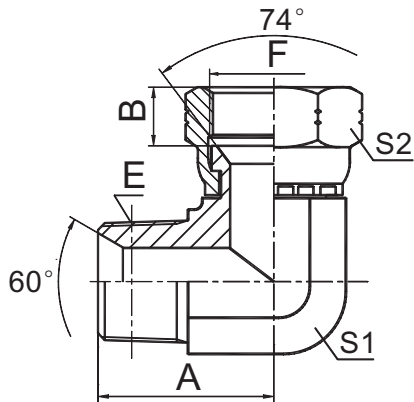


过渡接头 ADAPTER



2NJ9

90° 美制布锥管外螺纹 / JIC 内螺纹 74° 内锥
 90° NPT MALE / JIC FEMALE 74° SEAT

代号 PART NO.	螺纹 THREAD		尺寸 DIMENSIONS					
	E	F	A	B	S1	S2		
2NJ9-02-04	Z1/4"X18	7/16"X20	21	9	11	17		
2NJ9-02-05	Z1/4"X18	1/2"X20	21	9	11	17		
2NJ9-04	Z1/4"X18	7/16"X20	25.5	9	14	17		
2NJ9-04-06	Z1/4"X18	9/16"X18	25.5	10.5	14	19		
2NJ9-06	Z3/8"X18	9/16"X18	31	10.5	19	19		
2NJ9-06-08	Z3/8"X18	3/4"X16	31	10.5	19	24		
2NJ9-08	Z1/2"X14	3/4"X16	37.3	10.5	22	24		
2NJ9-08-10	Z1/2"X14	7/8"X14	37.3	12	22	27		
2NJ9-08-12	Z1/2"X14	1.1/16"X12	37.5	15	24	32		
2NJ9-12	Z3/4"X14	1.1/16"X12	44	15	27	32		
2NJ9-12-08	Z3/4"X14	3/4"X16	43.5	10.5	27	24		
2NJ9-12-10	Z3/4"X14	7/8"X14	43.5	12	27	27		
2NJ9-16	Z1"X11.5	1.5/16"X12	50	16	33	41		
2NJ9-16-14	Z1"X11.5	1.3/16"X12	49	15	33	36		
2NJ9-20	Z1.1/4"X11.5	1.5/8"X12	53	17	41	50		
2NJ9-24	Z1.1/2"X11.5	1.7/8"X12	59	20	48	55		