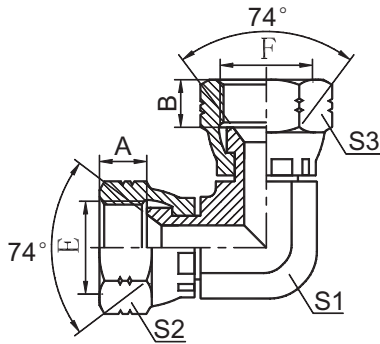


过渡接头 ADAPTER



3J9

90° 美制JIC内螺纹74° 内锥
90° JIC FEMALE 74° SEAT

代号 PART NO.	螺纹 THREAD		尺寸 DIMENSIONS				
	E	F	A	B	S1	S2	S3
3J9-04	7/16"X20	7/16"X20	9	9	11	15	15
3J9-05	1/2"X20	1/2"X20	9.5	9.5	14	17	17
3J9-06	9/16"X18	9/16"X18	10.5	10.5	14	19	19
3J9-08	3/4"X16	3/4"X16	11	11	19	24	24
3J9-10	7/8"X14	7/8"X14	13	13	22	27	27
3J9-12	1.1/16"X12	1.1/16"X12	15	15	27	32	32
3J9-16	1.5/16"X12	1.5/16"X12	16	16	33	41	41
3J9-20	1.5/8"X12	1.5/8"X12	43.5	43.5	41	50	50
3J9-24	1.7/8"X12	1.7/8"X12	48.5	48.5	48	55	55
3J9-32	2.1/2"X12	2.1/2"X12	60.5	60.5	63	75	75