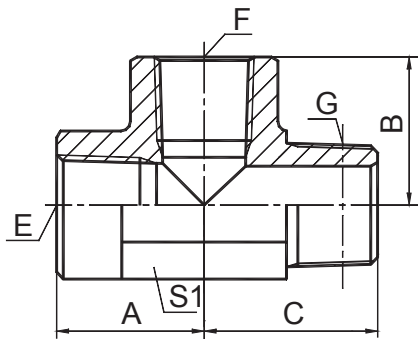


过渡接头 ADAPTER



HT

英锥管内螺纹 / 英锥管内螺纹 / 英锥管外螺纹
BSPT FEMALE/BSPT FEMALE/BSPT MALE

代号 PART NO.	螺纹 THREAD			尺寸 DIMENSIONS					
	E	F	G		A	B	C	S1	
HT-02	Rc1/8"X28	Rc1/8"X28	Rc1/8"X28		20	20	24	16	
HT-04	Rc1/4"X19	Rc1/4"X19	R1/4"X19		25	25	28	19	
HT-06	Rc3/8"X19	Rc3/8"X19	R3/8"X19		27	27	33.5	24	
HT-08	Rc1/2"X14	Rc1/2"X14	R1/2"X14		31.2	31.2	40.8	30	
HT-12	Rc3/4"X14	Rc3/4"X14	R3/4"X14		37	37	47.5	33	