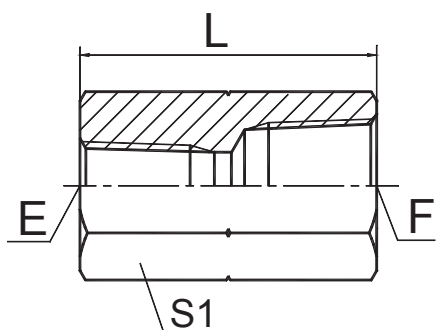


过渡接头 ADAPTER



7T

英锥管内螺纹
BSPT FEMALE

代号 PART NO.	螺纹 THREAD		尺寸 DIMENSIONS						
	E	F			L	S1			
7T-02	Rc1/8"X28	Rc1/8"X28			20	14			
7T-02-04	Rc1/8"X28	Rc1/4"X19			30	19			
7T-04	Rc1/4"X19	Rc1/4"X19			30	19			
7T-04-06	Rc1/4"X19	Rc3/8"X19			30	22			
7T-04-08	Rc1/4"X19	Rc1/2"X14			40	27			
7T-06	Rc3/8"X19	Rc3/8"X19			30	22			
7T-06-08	Rc3/8"X19	Rc1/2"X14			40	27			
7T-06-12	Rc3/8"X19	Rc3/4"X14			37	36			
7T-08	Rc1/2"X14	Rc1/2"X14			40	27			
7T-08-12	Rc1/2"X14	Rc3/4"X14			42	36			
7T-12	Rc3/4"X14	Rc3/4"X14			42	36			
7T-12-16	Rc3/4"X14	Rc1"X11			50	41			
7T-16	Rc1"X11	Rc1"X11			50	41			
7T-16-20	Rc1"X11	Rc1.1/4"X11			52	50			
7T-20	Rc1.1/4"X11	Rc1.1/4"X11			55	50			
7T-24	Rc1.1/2"X11	Rc1.1/2"X11			55	55			
7T-32	Rc2"X11	Rc2"X11			65	70			